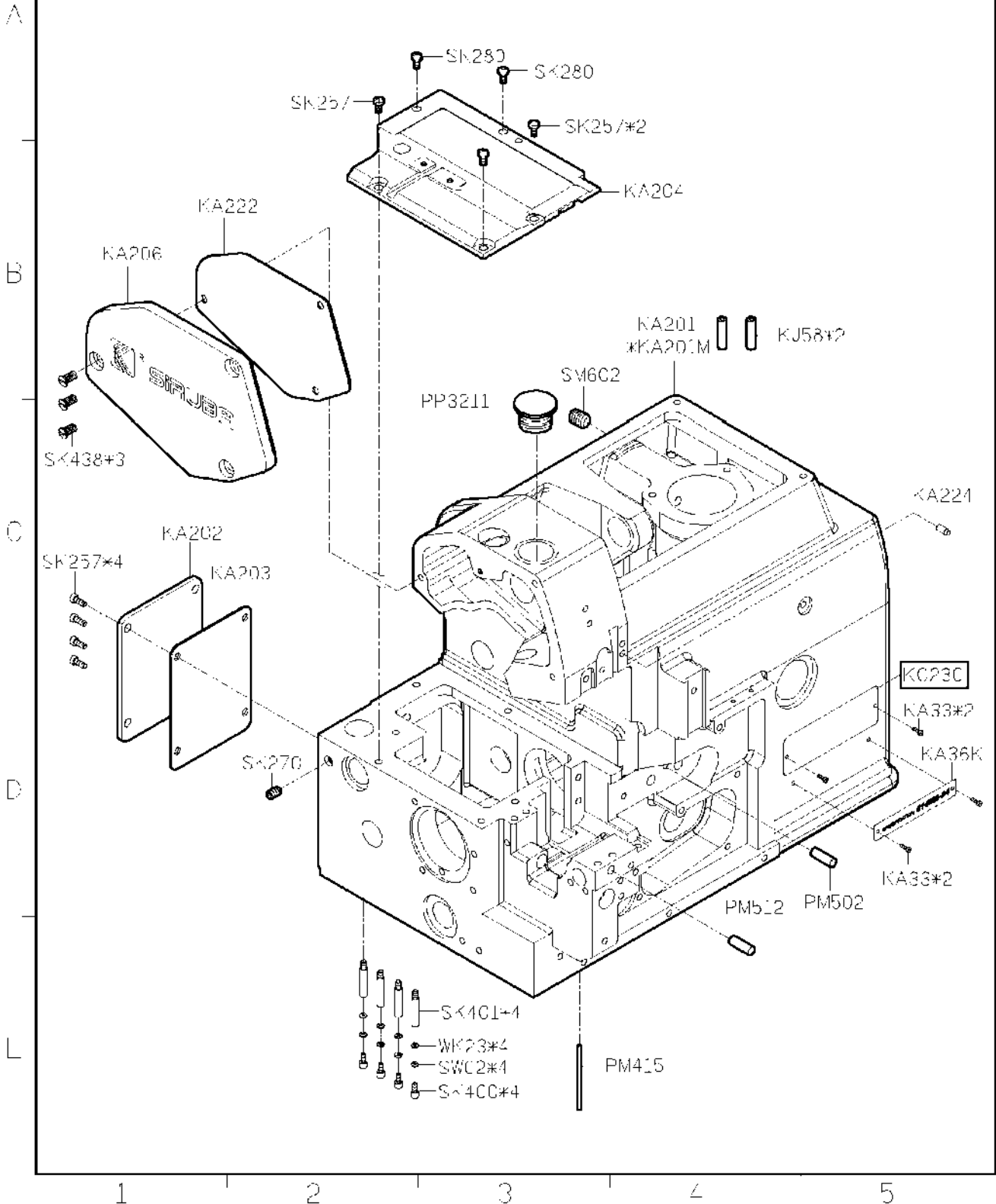


SIRUBA GAGE PARTS LIST		Series						Remark						Page	Date
		700K/ 988												1 / 2	2012/10/23
機 型 MODEL		針板 NEEDLE PLATE	送具 FOOT DOG	送具 FOOT DOG	押具 PRESSER FOOT	勾 針 LOOPER	針留 NEEDLE CLAMP	束 子 COIL/F	衝 程 CRANK	衝 程 CRANK	人 心 Crankshaft	勾針連桿座 Upper Looper Holder	過線器 Bracket	下刀架 Lower Knife Holder	針 號 NEEDLE
737K 988 31	503M2-04	E222	D21C D207	H204	P201-14A	_P221	KG231K-E	KJ204	KF203-E	KJ206-F	KD201	KJ236	KJ219	KR209	DCX27#11
	504F1-04	E222	D201 D207	H201	P201-14A	_P225	KG231K-E	KJ204	KF203-E	KJ206-F	KD201	KJ236	KJ219	KR209	DCX27#9
	504F1-15	E233A	D201 D217	H201	P214F-A	_P225	KG231K-E	KJ204	KF203-E	KJ206-C	KD201	KJ236	KJ219	KR209	DCX27#9
	504F2-02/3AL	E233A	D201 D217	H201	P214F-2A	_P225	KG231K-E	KJ204	KF203-E	KJ206-E	KD201	KJ236	KJ219	KR209	DCX27#9
	504M1-15	E207	D201 D209	H201	P211 A	_P225	KG231K-E	KJ204	KF203-E	KJ206-E	KD201	KJ236	KJ219	KR209	DCX27#9
	504M2 04	E222	D21C D207	H204	P201-14A	_P225	KG231K-E	KJ204	KF203-E	KJ206-E	KD201	KJ236	KJ219	KR209	DCX27#11
	504M2-04_LFC-3	F222	D21C D207	H204	P218-3	_P225	KG231K-E	KJ204	KF203-E	KJ206-F	KD201	KJ236	KJ219	KR209	DCX27#11
	504M2 04IR	E222	D21C D207	H204	P218-3	_P225	KG231K-E	KJ204	KF203-E	KJ206-F	KD201	KJ236	KJ219	KR209	DCX27#11
	WR/_LFC-3	E246				_P225	KG231K-E	KJ204	KF203-E	KJ206-C	KD201	KJ236	KJ219		DCX27#11
	504M3 04	E222	D21C D209	H204	P201 14A	_P225	KG231K-E	KJ204	KF203-E	KJ206-E	KD201	KJ236	KJ219	KR209	DCX27#11
	504M3-05	E221	D21C D209	H204	P201 14A	_P225	KG231K-E	KJ204	KF203-E	KJ206-E	KD201	KJ236	KJ219	KR209	DCX27#11
	504M3-05PZ	E221	D21C D209	H204	P257-A	_P225	KG231K-E	KJ204	KF203-E	KJ206-E	KD201	KJ236	KJ219	KR209	DCX27#18
	504M5-04BK	F232	D203 D207	H203	P202-2A	_P225	KG231K-E	KJ204	KF203-E	KJ206-F	KD201	KJ236	KJ219	KR209	DCX27#11
	504M5-04BK-1	F232	D203 D207	H203	P202-2A	_P225	KG231K-E	KJ204	KF203-E	KJ206-F	KD201	KJ236	KJ219	KR209	DCX27#11
505F1-04	E206	D201 D207	H201	D203-A	_P225	KG231K-E	KJ204	KF203-E	KJ206-E	KD201	KJ236	KJ219	KR209	DCX27#9	
747K 988 4T	512M1-25	E208	D21C D207	H204	P201-A	_P228	KG242K-E	KJ204	KF203-E	KJ203-E	KD201	KJ208	KJ219	KR209	DCX27#11*2
	512M1-34	E236	D21C D207	H204	P214-A	_P228	KG242K-E	KJ204	KF203-E	KJ203-E	KD201	KJ208	KJ219	KR209	DCX27#11*2
	514F1-24	E212K	D21C D207	H204	P201-A	_P228	KG242K-E	KJ234K	KF203-E	KJ203-E	KD201	KJ208	KJ219	KR209	DCX27#11*2
	514H4-24GA	F225	D202 D207	H202	P204-A	_P228	KG242K-F	KJ234K	KF203-E	KJ203-F	KD201	KJ208	KJ219	KR209	DCX27#11*2
	514H4-24GA/P	F225	D202 D207	H202	P204P-A	_P228	KG242K-F	KJ234K	KF203-E	KJ203-F	KD201	KJ208	KJ219	KR209	DCX27#11*2
	514M2-24	E229	D21C D207	H204	P201-A	_P226	KG242K-E	KJ234K	KF203-E	KJ203-E	KD201	KJ208	KJ219	KR209	DCX27#11*2
	514M2 24TG	E229	D21C D207	H204	P254J 4A	_P226	KG242K-E	KJ234K	KF203-E	KJ203-E	KD201	KJ208	KJ219	KR209	DCX27#11*2
	514M2-24LFC-3	E229	D21C D207	H204	P216-4	_P226	KG242K-E	KJ234K	KF203-E	KJ203-E	KD201	KJ208	KJ219	KR209	DCX27#11*2
	514M2-25	E208	D21C D207	H204	P201-A	_P228	KG242K-E	KJ234K	KF203-E	KJ203-F	KD201	KJ208	KJ219	KR209	DCX27#11*2
	514M2-25TG	F208	D21C D207	H204	P254J-4A	_P228	KG242K-F	KJ234K	KF203-E	KJ203-F	KD201	KJ208	KJ219	KR209	DCX27#11*2
	514M2-25LFC-3	F208	D21C D207	H204	P216-4	_P228	KG242K-E	KJ234K	KF203-E	KJ203-C	KD201	KJ208	KJ219	KR209	DCX27#11*2
	514M2-28	E239	D21C D207	H204	P201-8A	_P227A	KG242K-E	KJ204K	KF203-E	KJ203-E	KD201A	KJ228	KJ238	KR209	DCX27#11*2
	514M4 23	E203	D21C D207	H204	P201 2A	_P226	KG242K-E	KJ234K	KF203-E	KJ203-E	KD201	KJ208	KJ219	KR209	DCX27#11*2
	514M5-23BK	E210	D203 D207	H203	P202-A	_P226	KG242K-E	KJ234K	KF203-E	KJ203-E	KD201	KJ208	KJ219	KR209	DCX27#11*2
514M5-23BK-1	E210	D203 D207	H203	P202-A	_P226	KG242K-E	KJ234K	KF203-E	KJ203-E	KD201	KJ208	KJ219	KR209	DCX27#11*2	

SIRUBA GAGE PARTS LIST		Series					Remark										Page	Date
		700K/ 988															2 / 2	2012/08/23
機 型 MODEL		針板 NEEDLE PLATE	送具 FEED DOG	送具 FEED DOG	押具 PRESSER FOOT	勾 針 LOOPER	針管 NEEDLE CLAMP	束 子 COIL GP	衝 程 CRANK	衝 程 CRANK	大 心 Cranksnaff	勾針連桿座 Upper Looper holder	過線器 Bracket	下刀架 Lower Knife holder	針 號 NEEDLE			
747K 988-4	514M5-24BK	E247	D203	D207	H203	P202-A	LP226	KG242K-F	KJ234K	KF203-F	KJ203-F	KD201	KJ208	KJ219	KR209	DCX27#11*2		
	514M5-24BK-L	E247	D203	D207	H203	P202-A	LP226	KG242K-E	KJ234K	KF203-E	KJ203-E	KD201	KJ208	KJ219	KR209	DCX27#11*2		
	514M7-24	E226	D212	D207	H210	P201-A	LP230	KG242K-F	KJ204K	KF203-F	KJ203-E	KD201A	KJ228	KJ238	KR209	DCX27#16*2		
	514M7-24BK	E247	D203	D207	H203	P202-A	LP230	KG242K-E	KJ204K	KF203-E	KJ203-E	KD201A	KJ228	KJ238	KR209	DCX27#16*2		
	514M7-24BK-L	E247	D203	D207	H203	P202-A	LP230	KG242K-E	KJ204K	KF203-E	KJ203-E	KD201A	KJ228	KJ238	BR239	DCX27#16*2		
	514M7-24TG	E226	D212	D207	H210	P254J-1A	LP230	KG242K-E	KJ204K	KF203-E	KJ203-E	KD201A	KJ228	KJ238	KR209	DCX27#16*2		
	514M7-25	E226	D212	D207	H210	P201-A	LP230	KG242K-E	KJ204K	KF203-E	KJ203-E	KD201A	KJ228	KJ238	KR209	DCX27#16*2		
	514M7-25BK	E246	D203	D207	H203	P202-A	LP230	KG242K-F	KJ204K	KF203-E	KJ203-F	KD201A	KJ228	KJ238	KR209	DCX27#16*2		
	514M7-25BK-L	E246	D203	D207	H203	P202-A	LP230	KG242K-E	KJ204K	KF203-E	KJ203-E	KD201A	KJ228	KJ238	BR239	DCX27#16*2		
514M7-25TG	E226	D212	D207	H210	P254J-1A	LP230	KG242K-F	KJ204K	KF203-F	KJ203-F	KD201A	KJ228	KJ238	KR209	DCX27#16*2			
767K 988-5	401M1/TW	E227	D219	D207	H219	P306-A	LP226	KG253K-F	KJ204	KF203-F	KJ206-F	KD201	TW201			DCX27#14*1		
	516H4-35GA	E213	D204	D207	H205	P308J-A	LP226	KG253K-F	KJ204	KF203-F	KJ206-F	KD201	KJ236	KJ219	KR219	DCX27#14*2		
	516H4-35CA/P	E213	D204	D207	H205	P308JP-A	LP226	KG253K-E	KJ204	KF203-E	KJ206-E	KD201	KJ236	KJ219	KR219	DCX27#14*2		
	516H4-55GA	E214	D205	D207	H206	P309J-A	LP226	KG255K-E	KJ204	KF203-E	KJ206-E	KD201	KJ236	KJ219	KR219	DCX27#14*2		
	516H4-55CA/P	E214	D205	D207	H206	P309JP-A	LP226	KG255K-E	KJ204	KF203-E	KJ206-E	KD201	KJ236	KJ219	KR219	DCX27#14*2		
	516L1-24	E215	D206	D207	H207	P500J-A	LP226	KG252K-E	KJ204	KF203-E	KJ206-E	KD201	KJ236	KJ219	KR219	DCX27#14*2		
	516L1-35	E216	D206	D207	H212	P504J-A	LP226	KG253K-E	KJ204	KF203-E	KJ206-E	KD201	KJ236	KJ219	KR219	DCX27#14*2		
	516M2-35	E217	D208	D207	H208	P504J-A	LP226	KG253K-E	KJ204	KF203-E	KJ206-E	KD201	KJ236	KJ219	KR219	DCX27#14*2		
	516M2-35PS	E227	D208	D207	H214	P504JS-A	LP226	KG253K-F	KJ204	KF203-F	KJ206-F	KD201	KJ236	KJ219	KR219	DCX27#14*2		
	516M2-55	E218	D208	D207	H209	P502J-A	LP226	KG255K-E	KJ204	KF203-E	KJ206-E	KD201	KJ236	KJ219	KR219	DCX27#14*2		
516M2-55PS	E226	D208	D207	H215	P502JS-A	LP226	KG255K-F	KJ204	KF203-F	KJ206-F	KD201	KJ236	KJ219	KR219	DCX27#14*2			
516x2-56	E234	D216A	D207	H220A	P382-A	LP230	KG255K-E	KJ234K/KJ234	KF203-E	KJ206-E	KD201A	KJ236	KJ238	KR223	DCX27#18*2			
401M2-501A	E236	D211	D222	H216	P223-A	LP230	KG256K-E	KJ204	KF203-E	KJ206-E	KD201	TW201			DCX27#14*2			
767K 988-6	516M2-324	E219	D208	D207	H209	P233J-A	LP226	KG433K-E	KJ234K	KF203-E	KJ203-E	KD201	KJ208	KJ219	KR219	DCX27#11*2		
	516M2-524	E214	D208	D207	H209	P255J-A	LP226	KG455K-E	KJ234K	KF203-E	KJ203-E	KD201	KJ208	KJ219	KR219	DCX27#11*2		

<b>SIRUBA</b> <b>PARTS LIST</b>	<b>Series</b>	<b>Parts Group</b>	<b>Subclass / Remark</b>	<b>Page</b>
	700K/700KD 988/988D	<b>KA</b>	<b>*: Use for 700KD/988D</b>	1/1
				<b>Date</b>
				2012/09/18

MODEL	700K/KD	988/988D
PARTS NO	KC230	KC231



SIRUBA PARTS LIST	Series	Parts Group	Subclass / Remark	Page
	700K/700KD	KB		1/1
	988/988D			Date
				2012/09/18

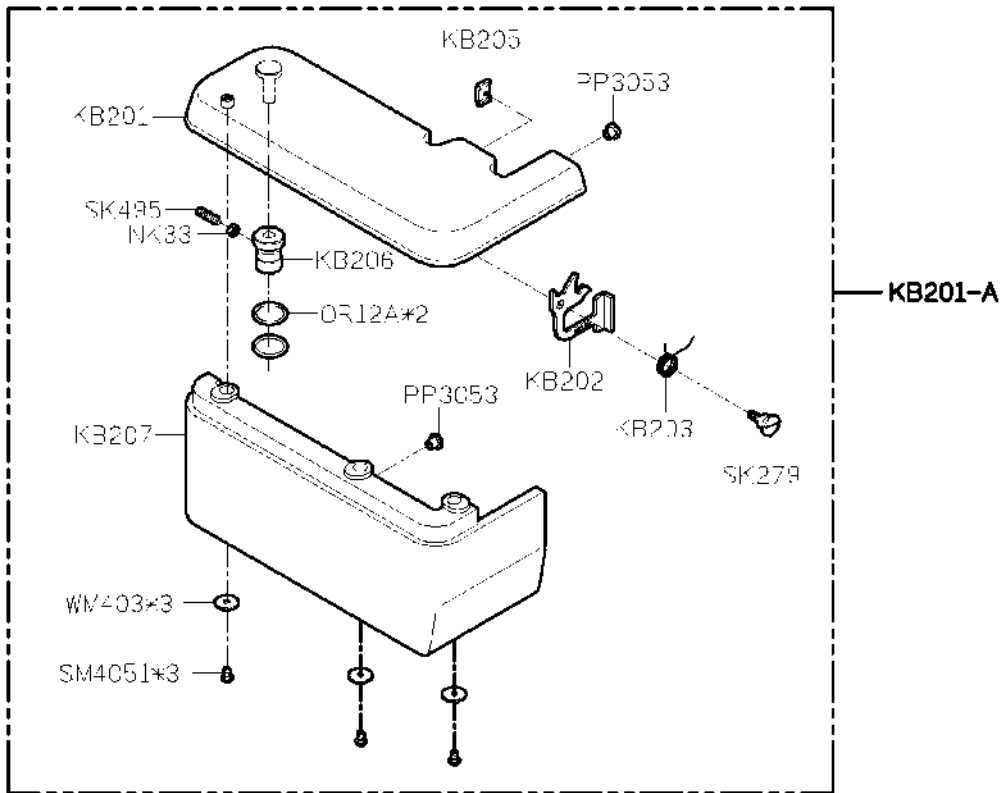
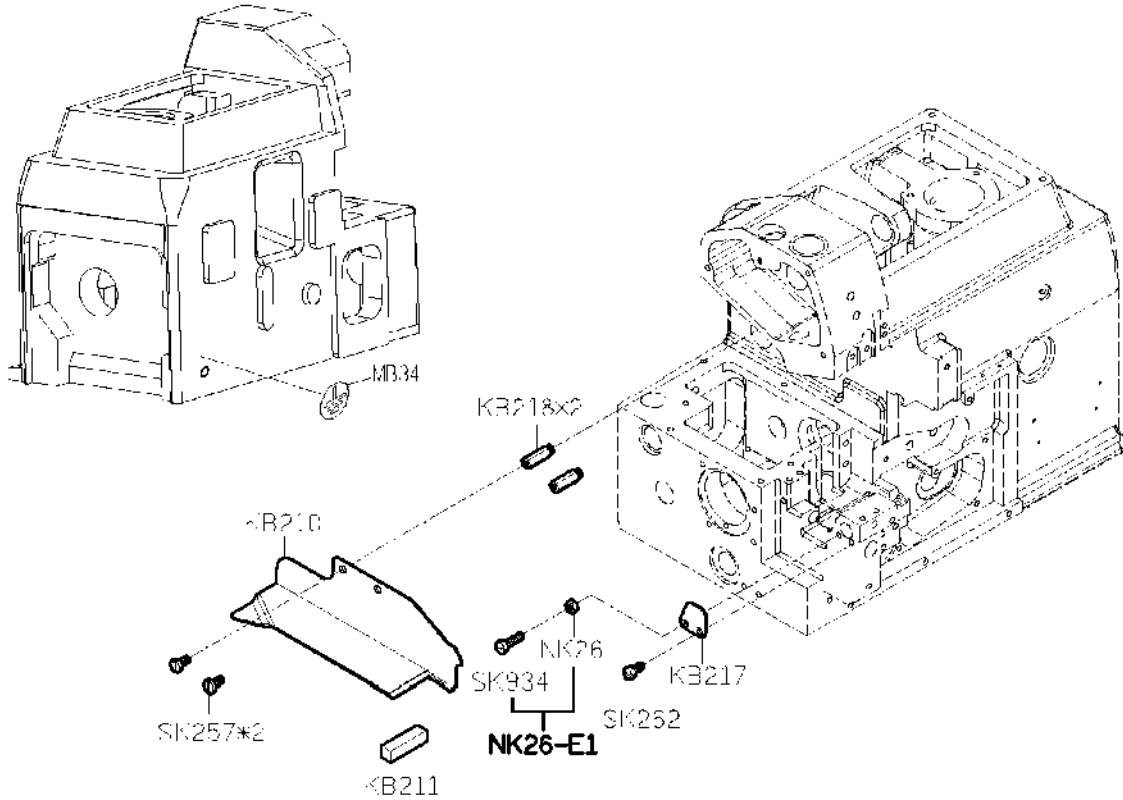
A

B

C

D

L



1

2

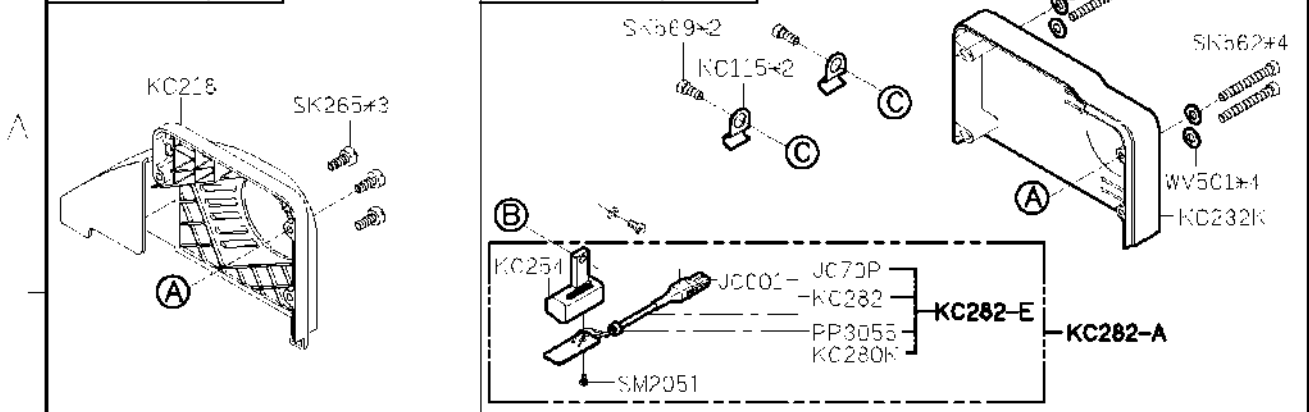
3

4

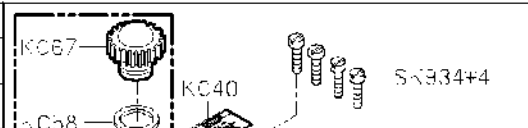
5

<b>SIRUBA</b> <b>PARTS LIST</b>	<b>Series</b>	<b>Parts Group</b>	<b>Subclass / Remark</b>	<b>Page</b>
	<b>700K/700KD</b>	<b>KC</b>	<b>*: Use for 988</b>	<b>1/1</b>
	<b>988/988D</b>			<b>Date</b>
				<b>2012/08/16</b>

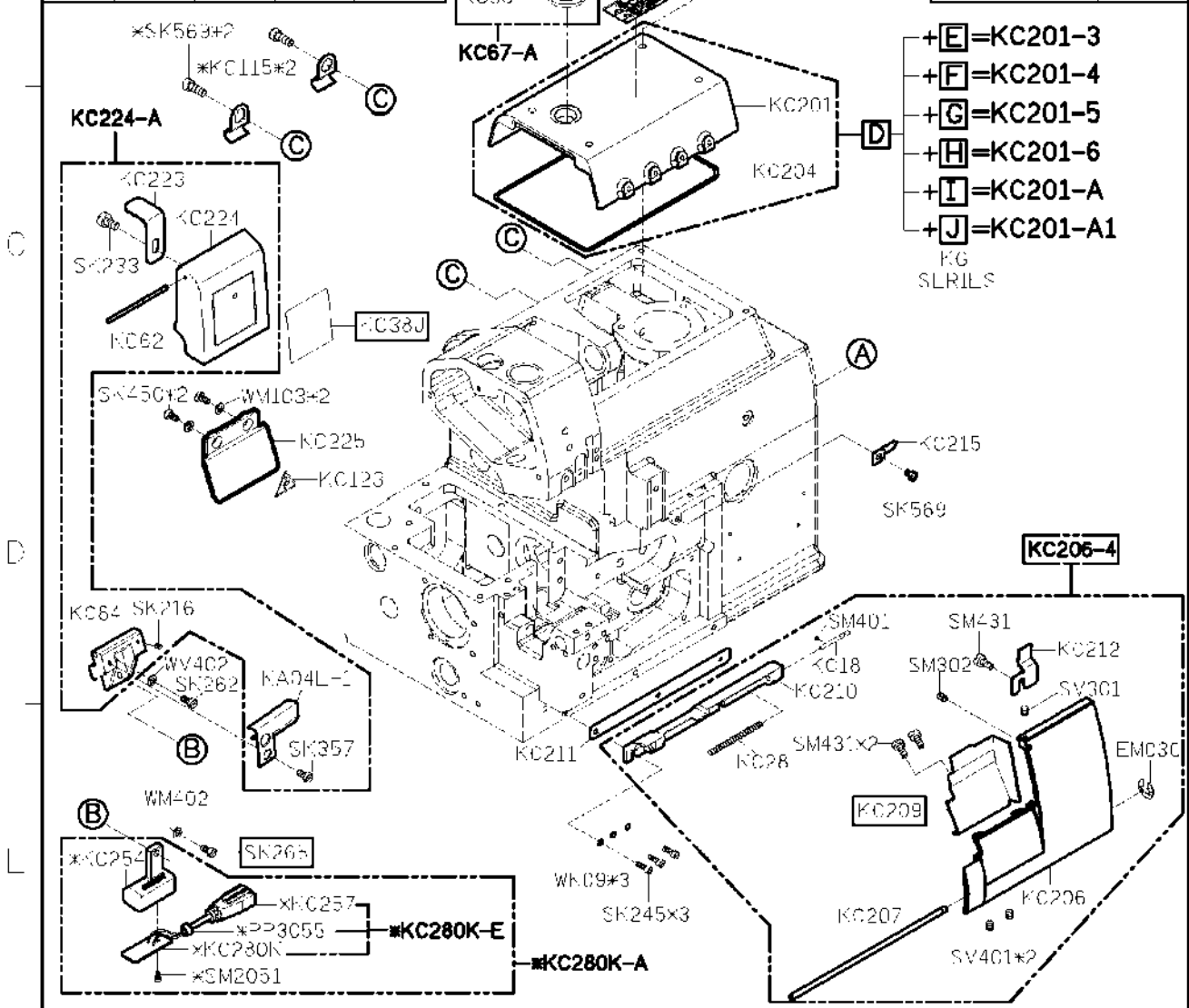
FOR 700K/988      FOR 700KD/988D



MODEL	700K	700KD	988	988D
PARTS NO	KC38J	KC38J	KC38C	KC38DC
	SK262	SK265	SK265	SK265



MODEL	#3/#4	#5/#6
PARTS NO	KC209	KC219
	KC206-1	KC206-5

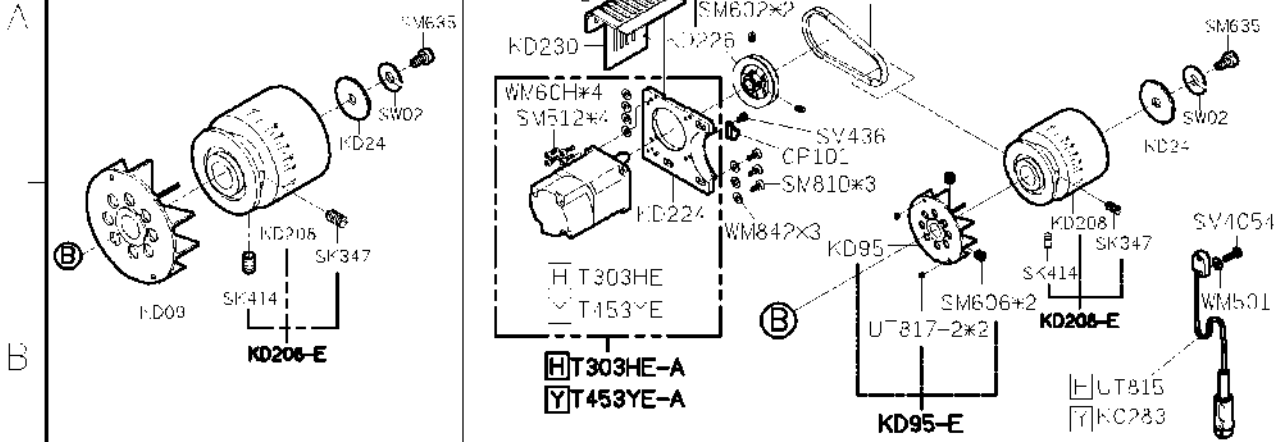


- +E=KC201-3
  - +F=KC201-4
  - +G=KC201-5
  - +H=KC201-6
  - +I=KC201-A
  - +J=KC201-A1
- KG  
SLRILS

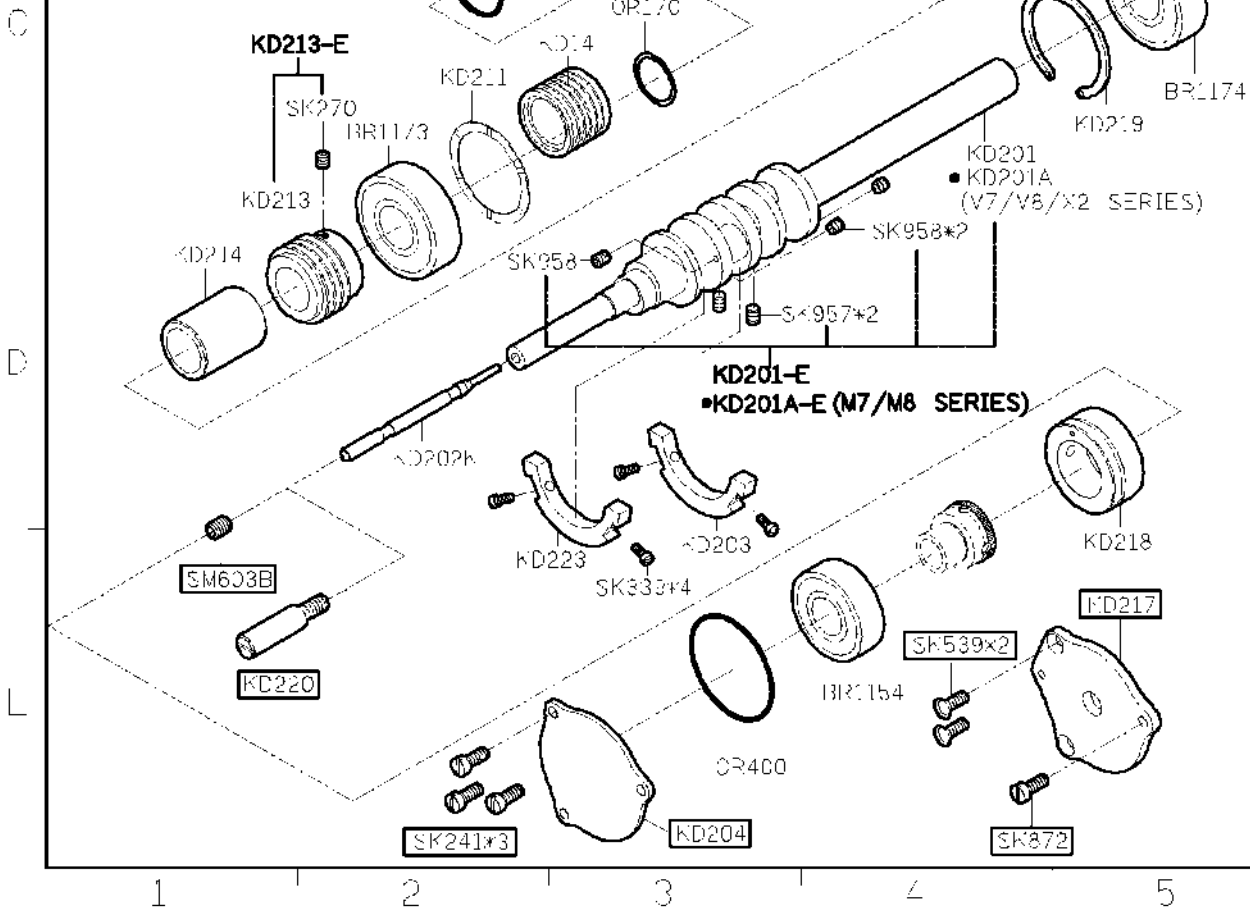
<b>SIRUBA</b> <b>PARTS LIST</b>	<b>Series</b>	<b>Parts Group</b>	<b>Subclass / Remark</b>	<b>Page</b>
	<b>700K/700KD</b>	<b>KD</b>	<input type="checkbox"/> FOR H MOTOR <input type="checkbox"/> FOR Y MOTOR	<b>1/1</b>
	<b>988/988D</b>			<b>Date</b>
				<b>2012/08/18</b>

FOR 700K/988

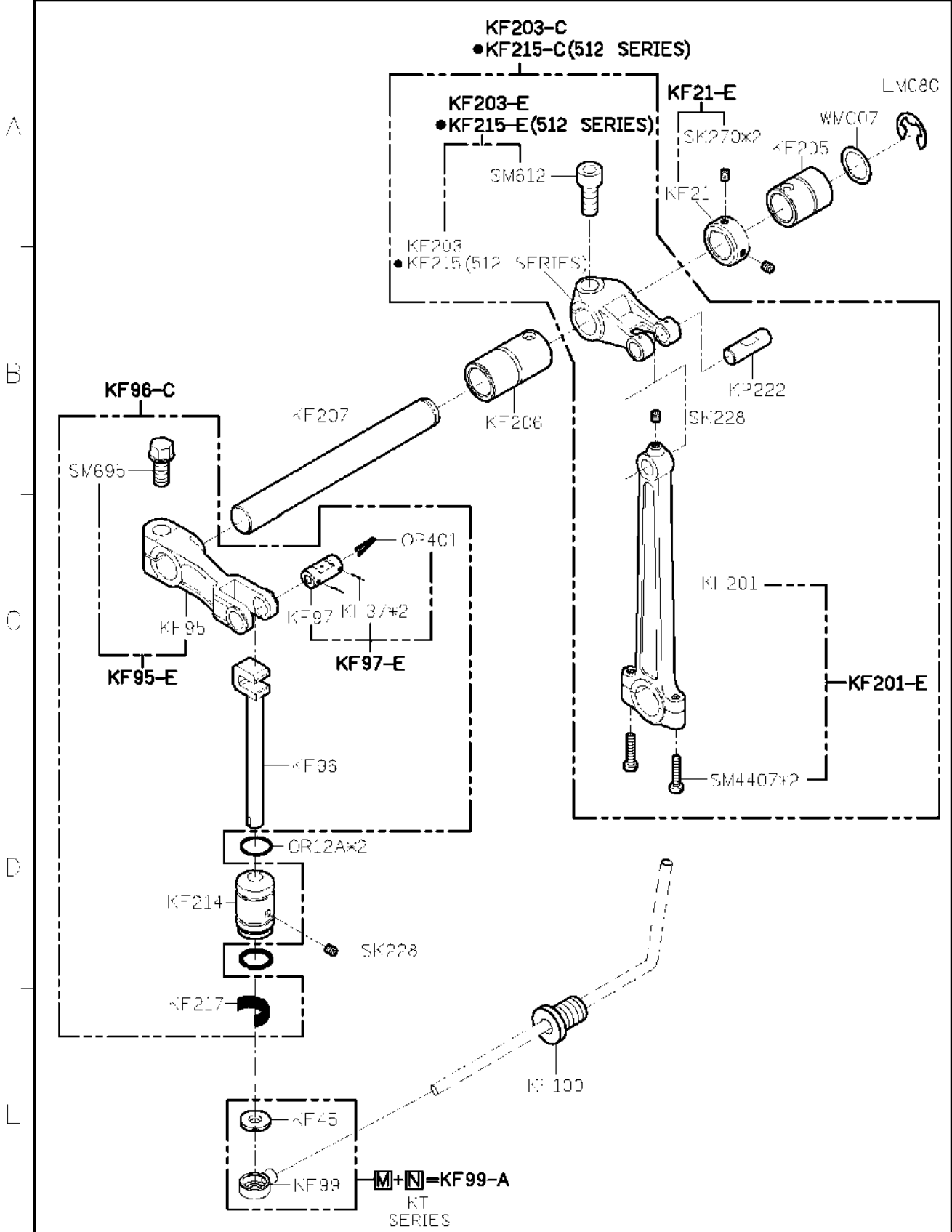
FOR 700KD/988D



MODIFI	#3/#4	#5/#6
PARTS NO	KD204	KD217
	SM603B	KD220
	SK241*3	SK339*2
		SK872*1



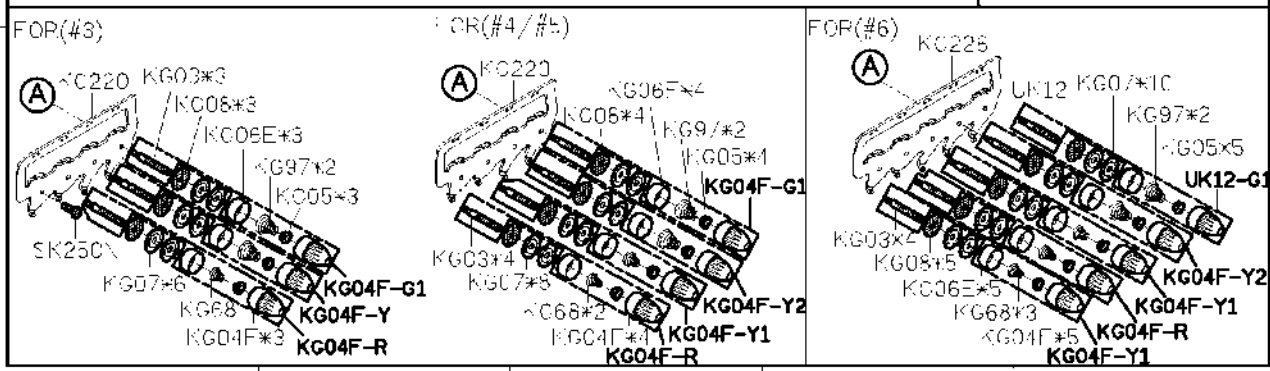
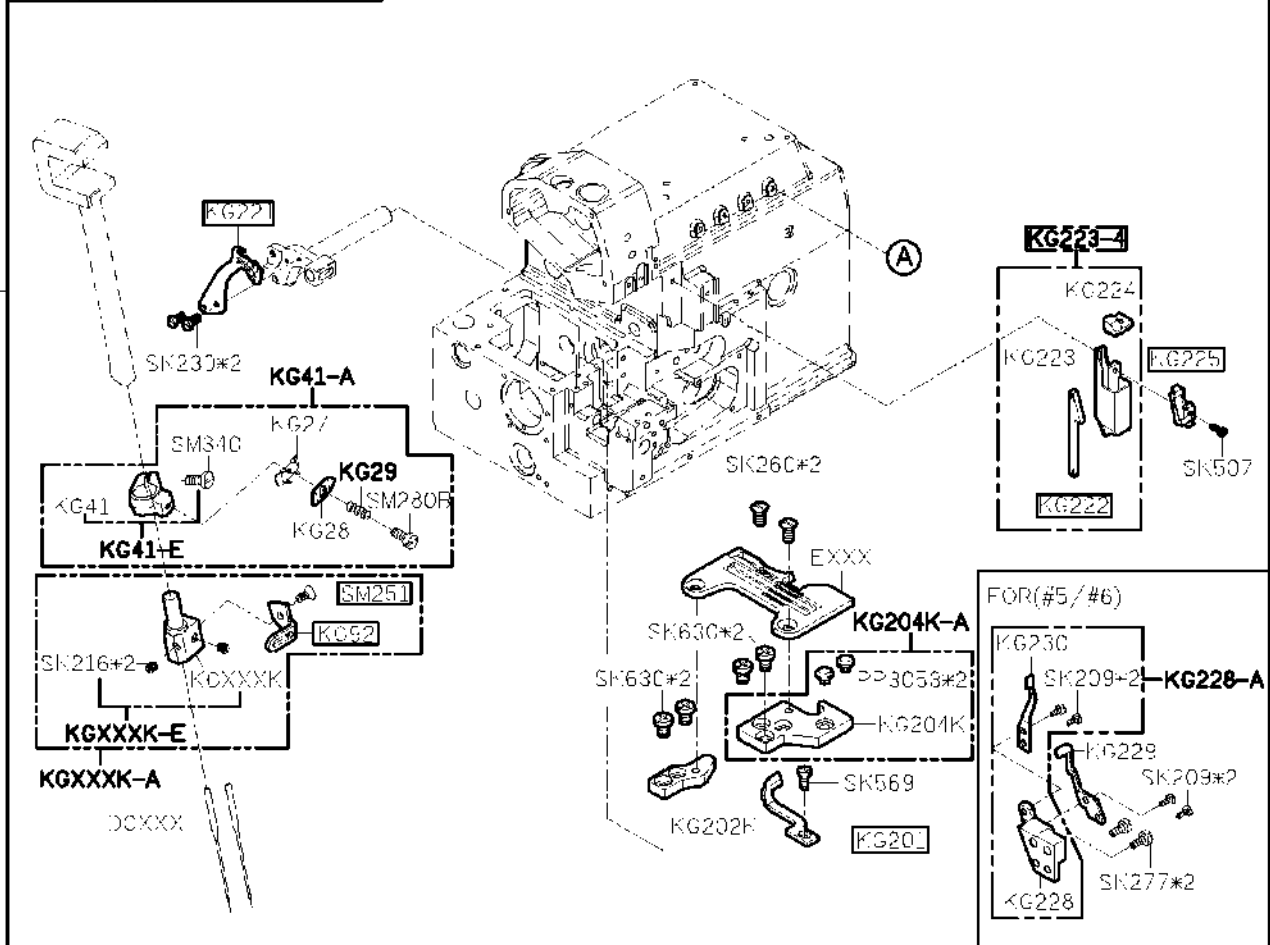
SIRUBA PARTS LIST	Series	Parts Group	Subclass / Remark	Page
	700K/700KD	KF		1/1
	988/988D			Date
				2012/12/22





<b>SIRUBA</b> <b>PARTS LIST</b>	<b>Series</b>		<b>Parts Group</b>	<b>Subclass / Remark</b>	<b>Page</b>
	700K/700KD 988/988D		<b>KG</b>		1/1
					Date
					2012/08/18

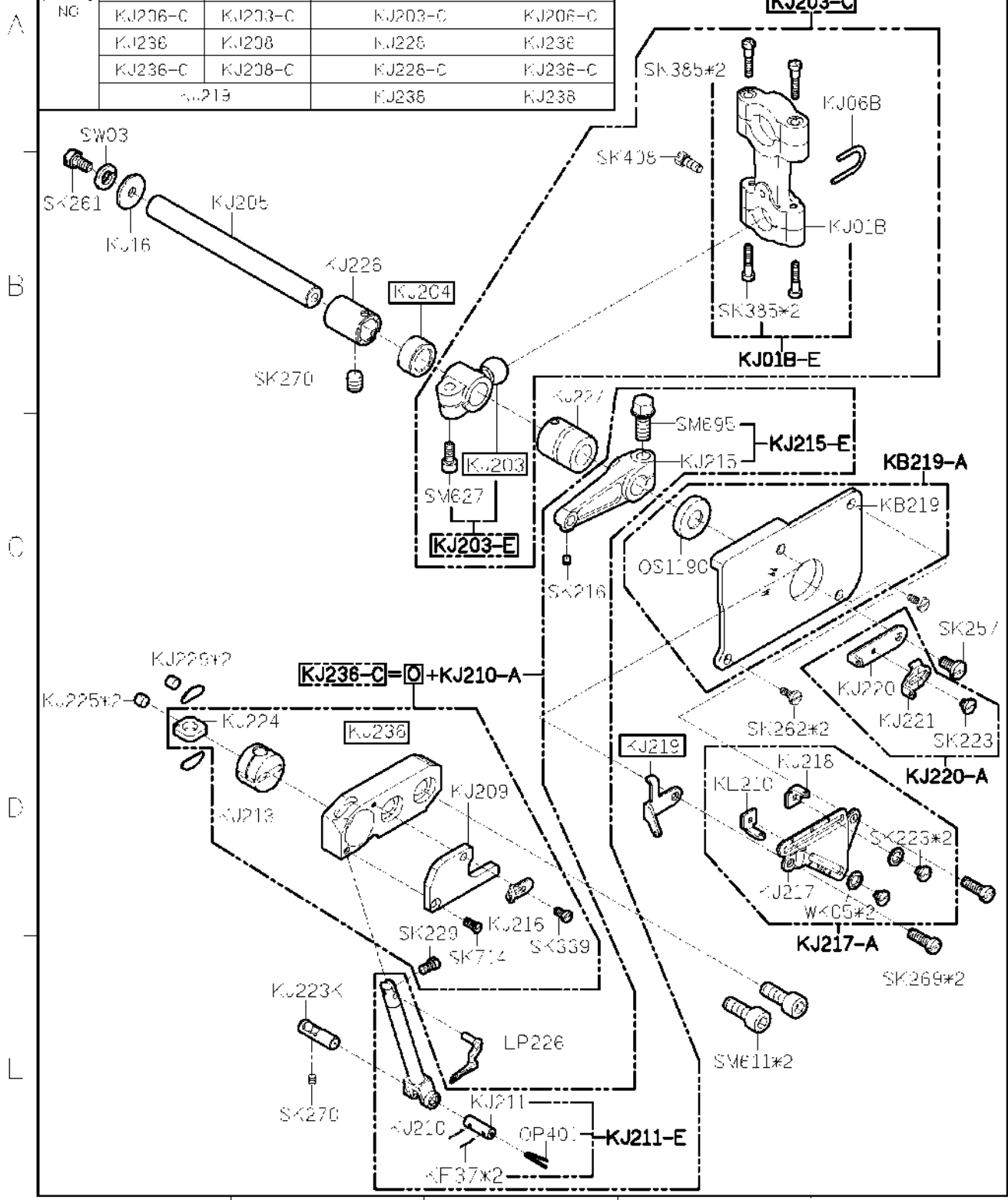
KG3F1	#3	#4	#5	#6	FOR(#3/#4)	FOR(#5/#6)
	KG237	KG211	KG237	KG211		
	KG218	KG213	KG236	KG249		
	KG250	KG221	KG243	KG251		
	KG222	KG222	KG245	KG245		
	KG225	KG225	KG261	KG261		
	KG220	KG201	KG244	KG244		
	KG99	KG92	KG94	KG84		
	SK216	SK216	SK216*2	SK216*2		
	SK250N	SK250N	SK250N*2	SK250N*2		
	SK437H	SK437N	SK589	SK589		
	SM251	SM251	SM250	SM250		
	KG212-3	KG212-4	KG241-5	KG241-6		
	KG223-4	KG223-4	KG223-5	KG223-5		





<b>SIRUBA</b> <b>PARTS LIST</b>	<b>Series</b>		<b>Parts Group</b>	<b>Subclass / Remark</b>	<b>Page</b>
	700K/700KD 988/988D		<b>KJ</b>		1/1
					<b>Date</b>
					2012/08/18

MODEL	#3/#5	#4/#6	#4 M7/M8/M2-28	#5 X2
	KJ204	KJ234K	KJ204K	KJ234K/KJ234
	KJ206	KJ203	KJ203	KJ206
PARTS	KJ206-F	KJ203-F	KJ203-F	KJ206-F
NO	KJ206-C	KJ203-C	KJ203-C	KJ206-C
	KJ236	KJ208	KJ226	KJ236
	KJ236-C	KJ208-C	KJ226-C	KJ236-C
	KB219		KJ236	KJ236

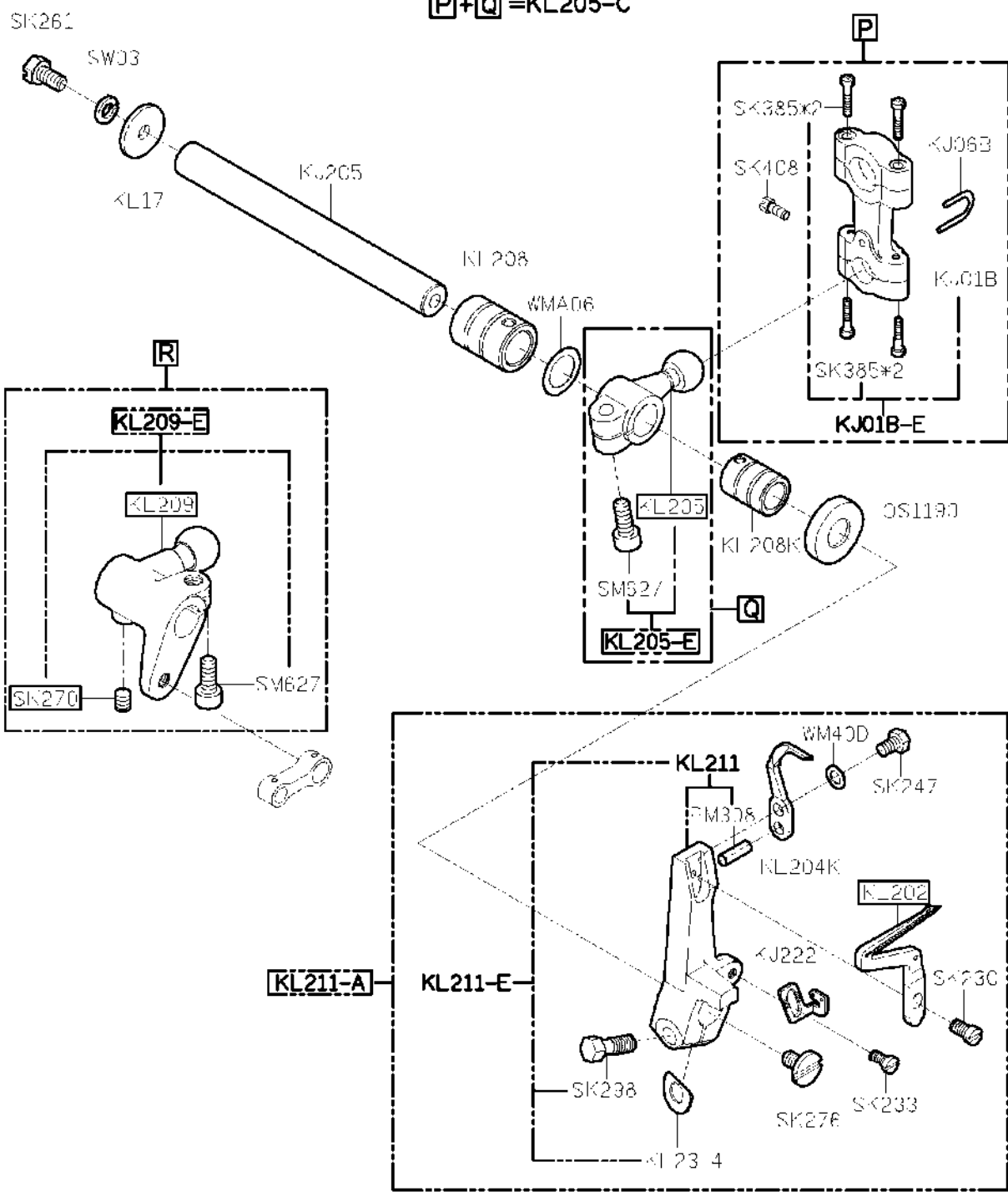


<b>SIRUBA</b> <b>PARTS LIST</b>	<b>Series</b>	<b>Parts Group</b>	<b>Subclass / Remark</b>	<b>Page</b>
	700K/700KD 988/988D	<b>KL</b>		1/1
				<b>Date</b>
				2012/09/18

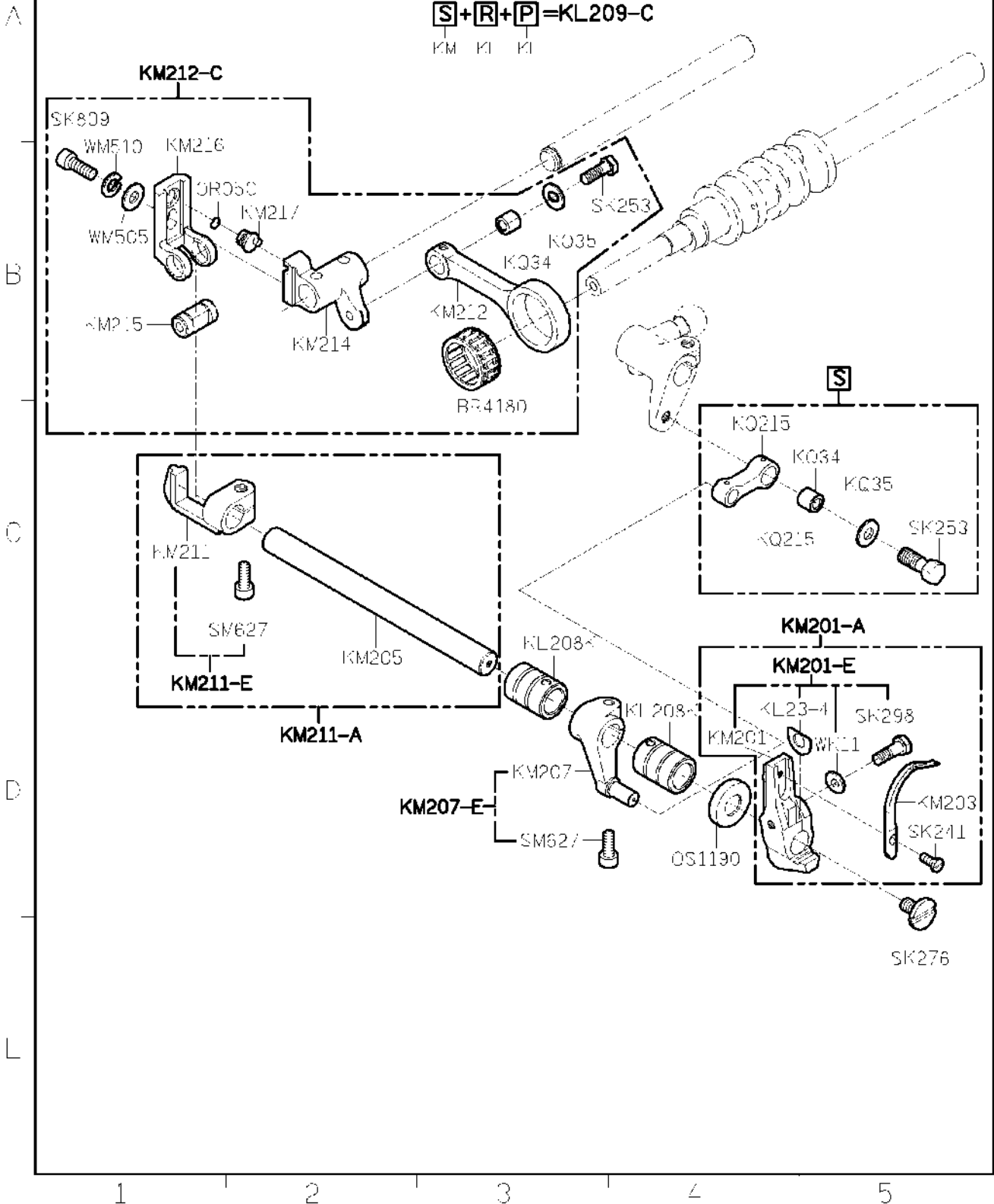
<b>MODEL</b>	<b>#3/#4</b>	<b>#5/#6</b>	<b>V1/X2 SERIES</b>
	KL202		<L202A
	KL211-A		<L211-A
<b>PARTS NO</b>	<L205	<L209	
		SK270	
	<L205-E	<L209-E	
	<L205-C	<L209-C	

<L KL <V  
 SERIES SERIES SERIES  
**[P]+[R]+[S]=KL209-C**  
 <L KL  
 SERIES SERIES  
**[P]+[Q]=KL205-C**

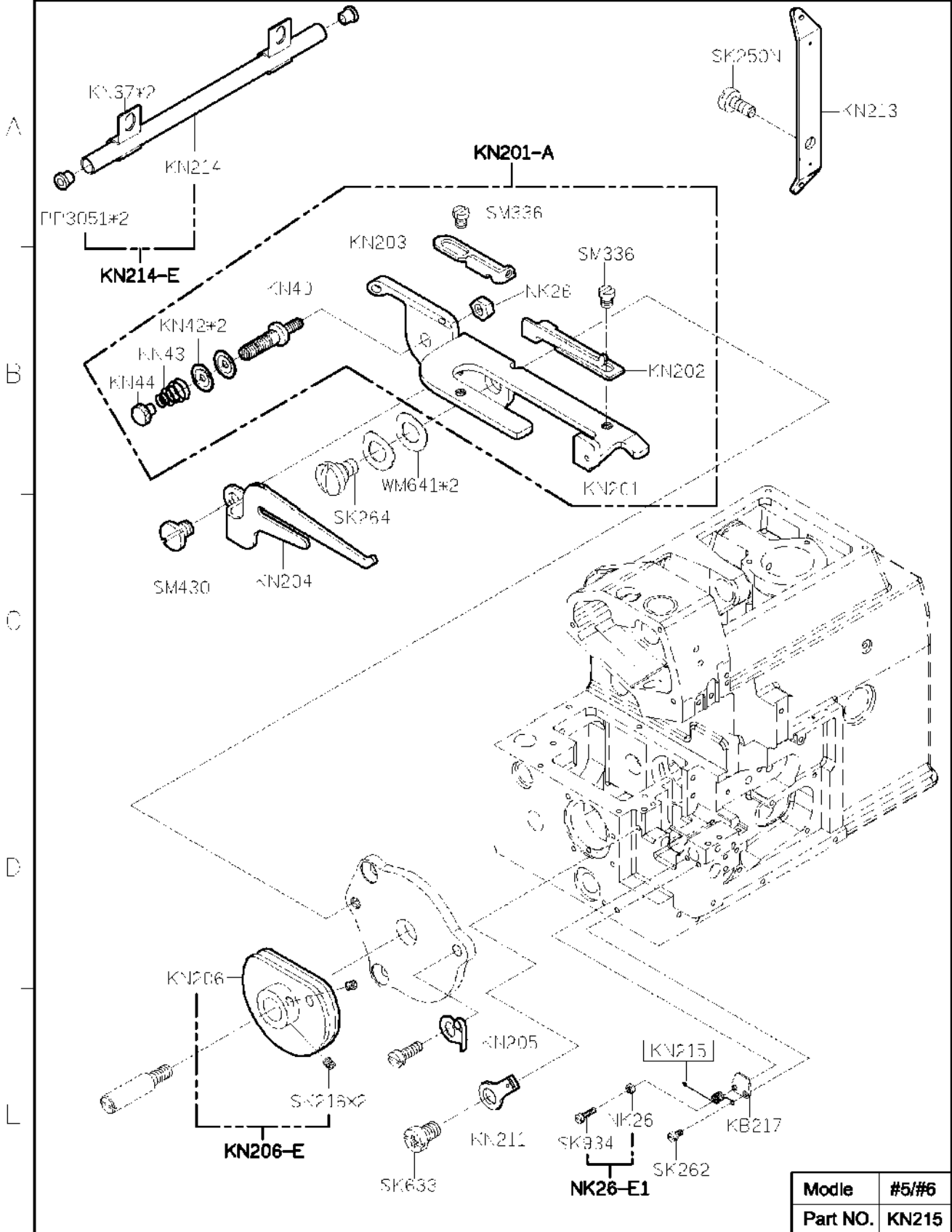
A  
B  
C  
D  
L



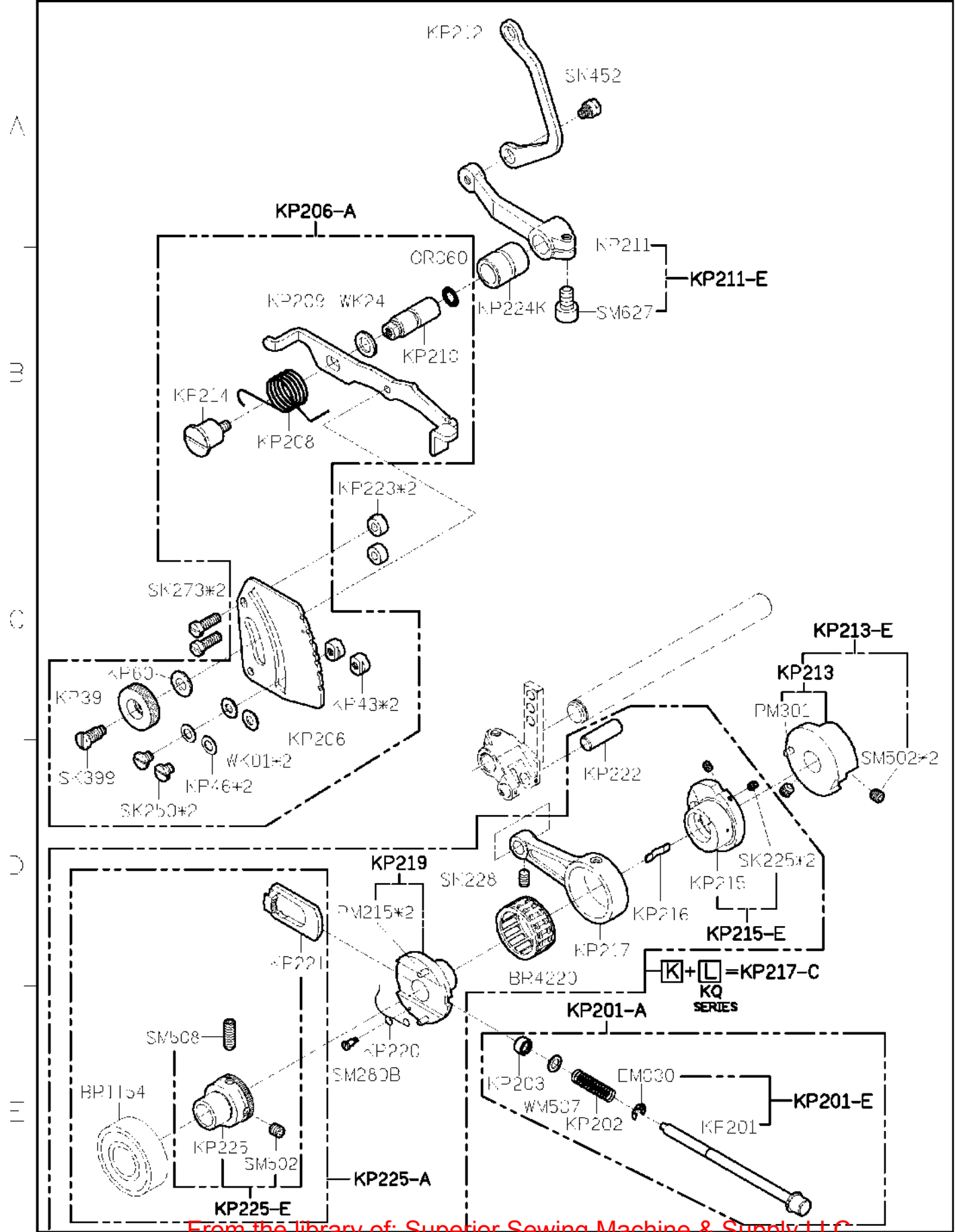
SIRUBA PARTS LIST	Series	Parts Group	Subclass / Remark	Page
	700K/700KD	KM		1/1
	988/988D			Date
				2012/08/18



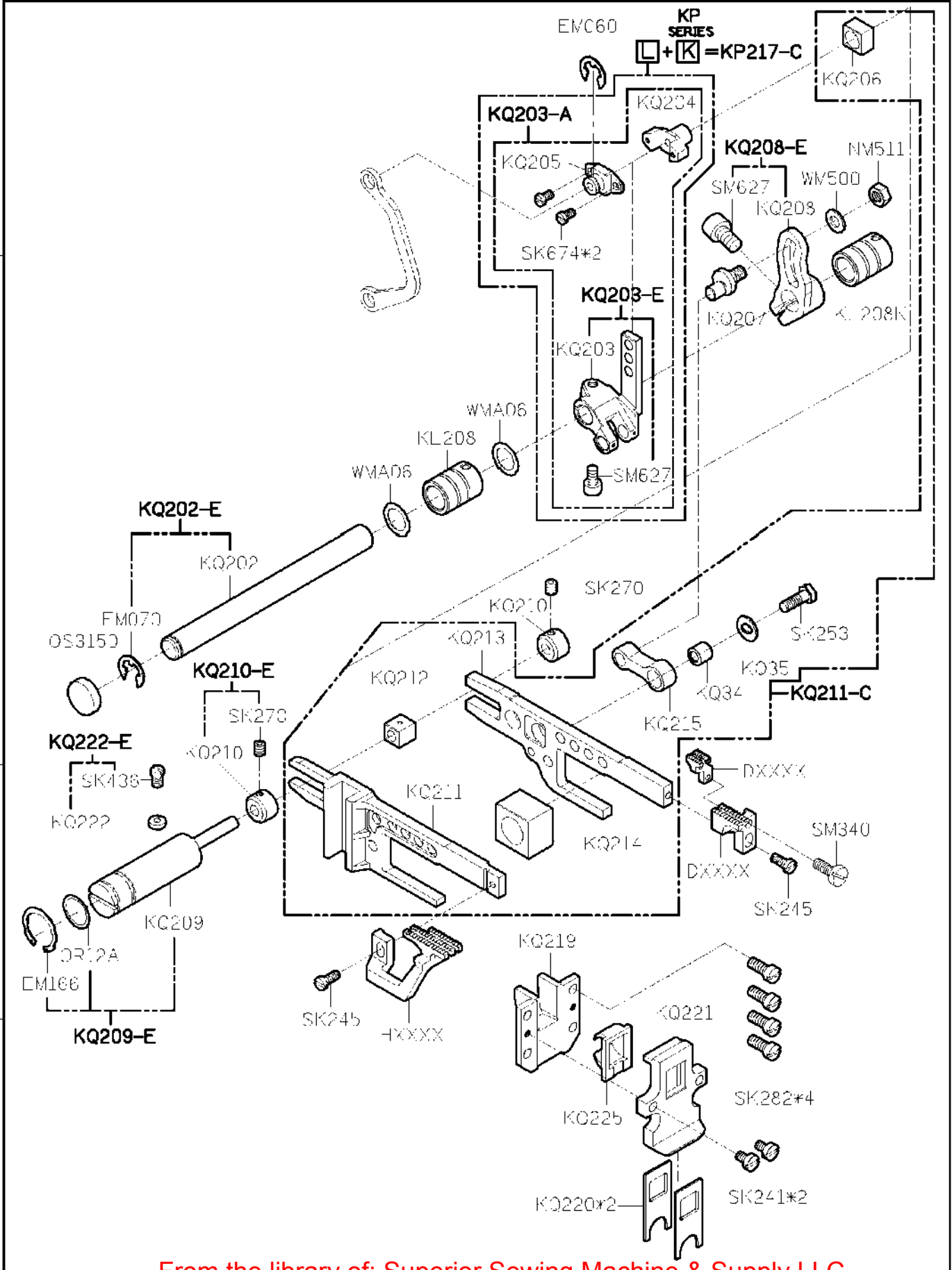
<b>SIRUBA</b> <b>PARTS LIST</b>	<b>Series</b>	<b>Parts Group</b>	<b>Subclass / Remark</b>	<b>Page</b>
	<b>700K/700KD</b>	<b>KN</b>		<b>1/1</b>
	<b>988/988D</b>			<b>Date</b>
				<b>2012/09/16</b>



SIRUBA PARTS LIST	Series	Parts Group	Subclass / Remark	Page
	700K/700KD	KP		1/1
	988/988D			Date
				2012/12/18

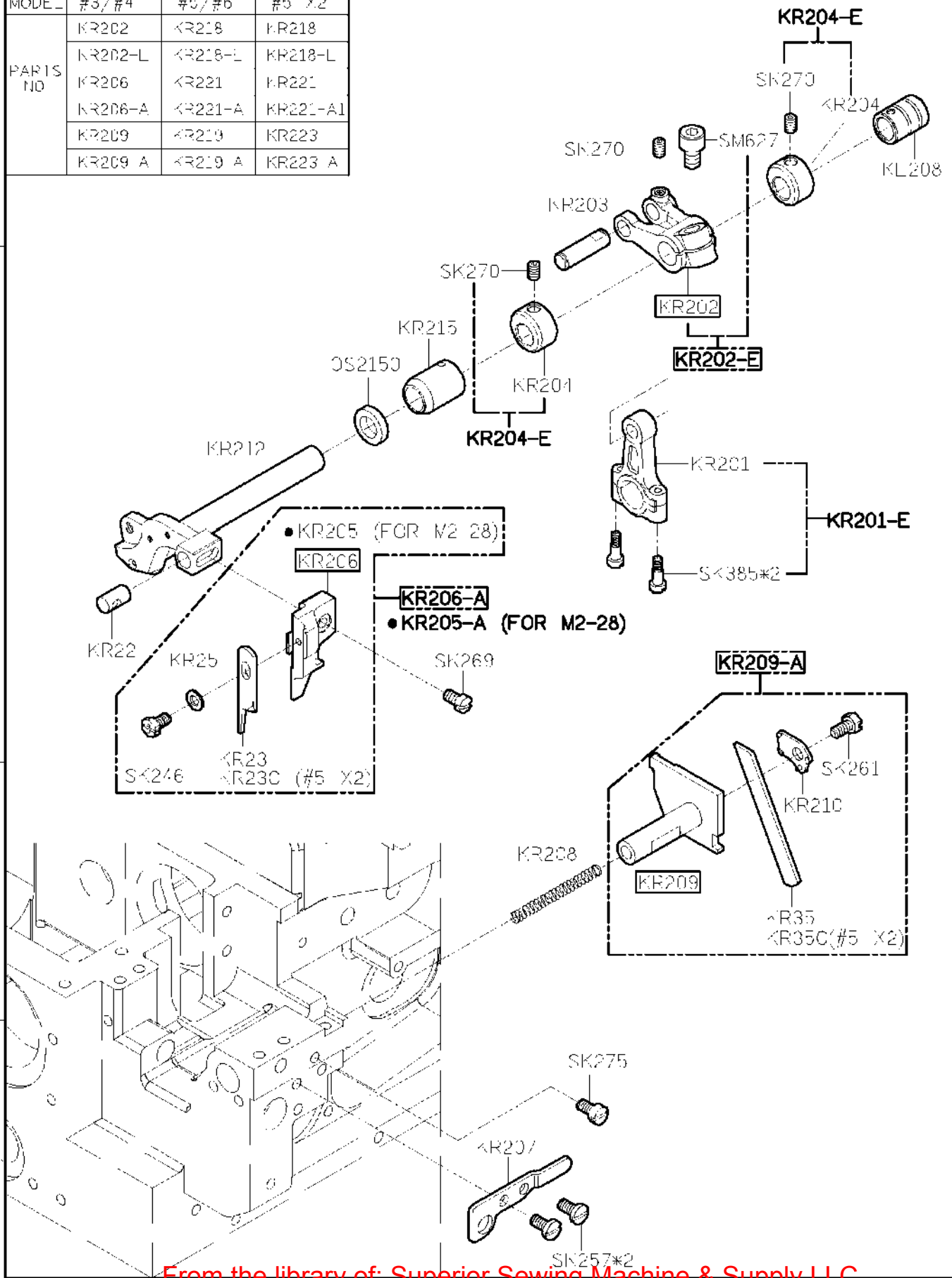


SIRUBA PARTS LIST	Series	Parts Group	Subclass / Remark	Page
	700K/700KD	KQ		1/1
	988/988D			Date
				2012/12/18



<b>SIRUBA</b> <b>PARTS LIST</b>	<b>Series</b>	<b>Parts Group</b>	<b>Subclass / Remark</b>	<b>Page</b>
	700K/700KD 988/988D	<b>KR</b>		1/1
				<b>Date</b> 2012/12/18

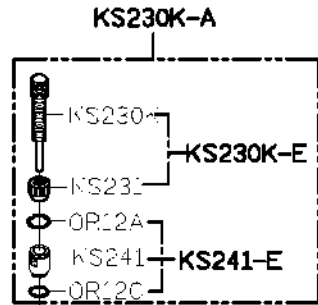
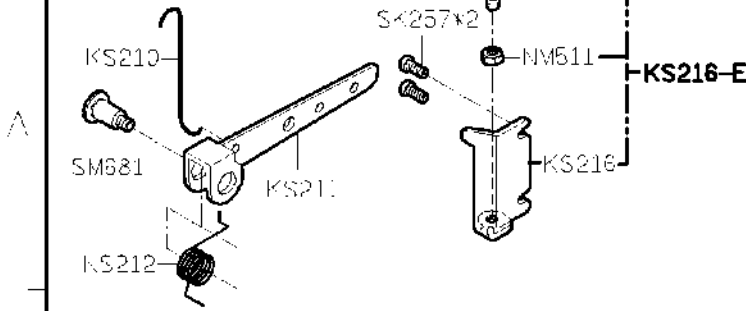
MODEL	#3/#4	#5/#6	#5 X2
	KR202	KR218	KR218
PARTS NO	KR202-L	KR218-L	KR218-L
	KR206	KR221	KR221
	KR206-A	KR221-A	KR221-A1
	KR209	KR219	KR223
	KR209 A	KR219 A	KR223 A



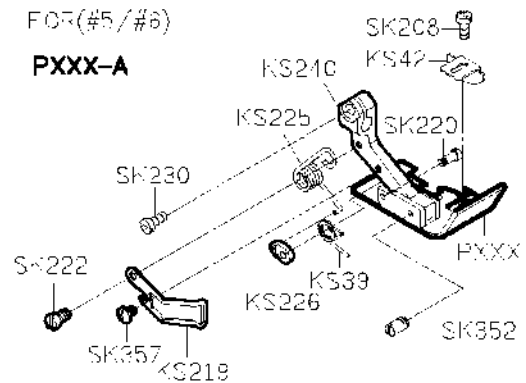
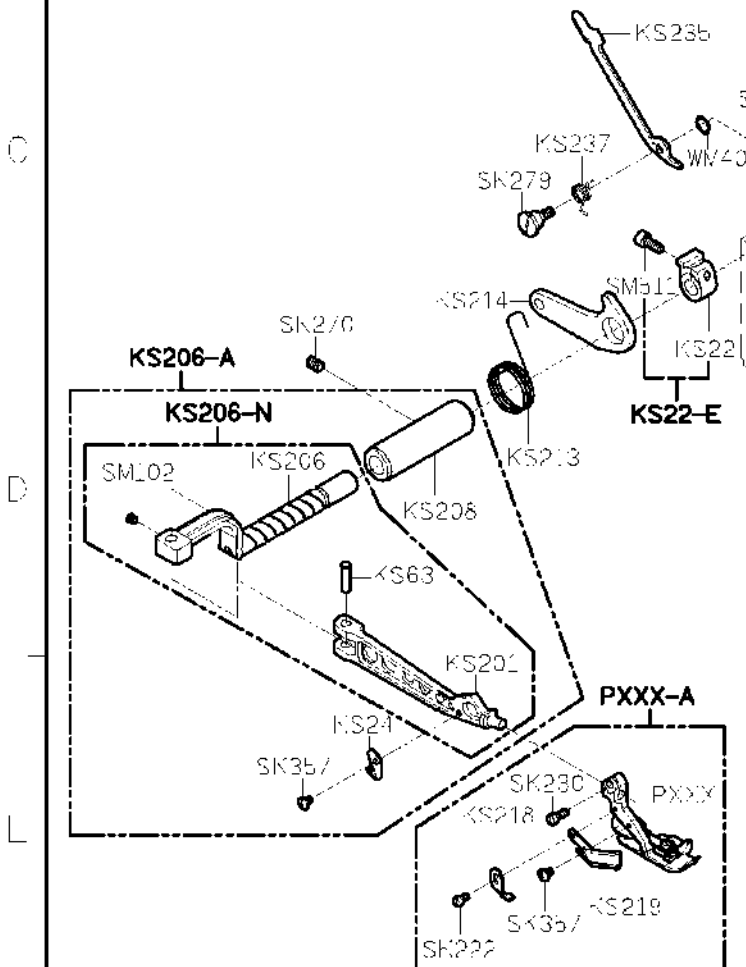
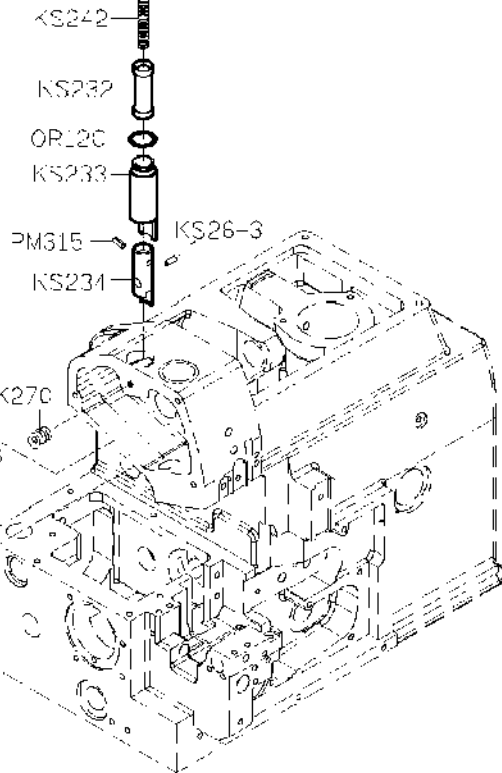
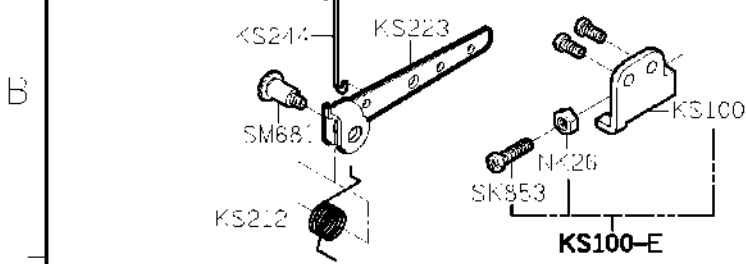


SIRUBA PARTS LIST	Series	Parts Group	Subclass / Remark	Page
	700K/700KD	KS		1/1
	988/988D			Date
				2012/08/18

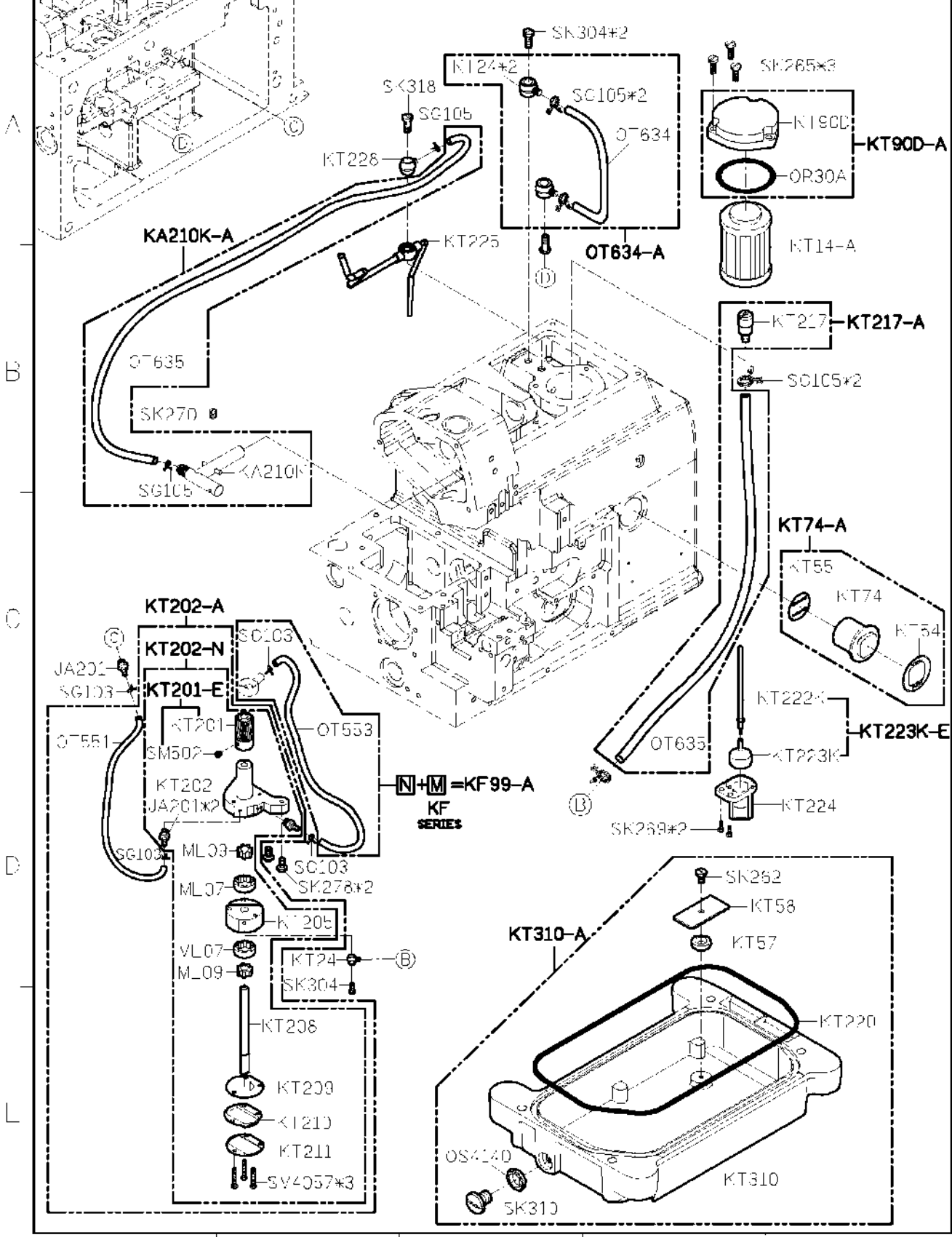
FOR 700K/988



FOR 700KD/988D



<b>SIRUBA</b> <b>PARTS LIST</b>	<b>Series</b>	<b>Parts Group</b>	<b>Subclass / Remark</b>	<b>Page</b>
	<b>700K/700KD</b>	<b>KT</b>		<b>1/1</b>
	<b>988/988D</b>			<b>Date</b>
				<b>2012/08/18</b>



<b>SIRUBA</b> <b>PARTS LIST</b>	<b>Series</b>		<b>Parts Group</b>	<b>Subclass / Remark</b>	<b>Page</b>
	<b>700K/700KD</b>		<b>KU</b>		<b>1/1</b>
	<b>988/988D</b>				<b>Date</b>
					<b>2012/09/18</b>

MODEL	#3/#4	#5/#6
PARTS NO	KU40	KU39
	KU220-4	KU220-5
	KU207	KU203
	KU206	KL211
	KU201-1	KL201-5
	SK277	SK437

**KU60-A**  
**(FOR 505F1-04)**

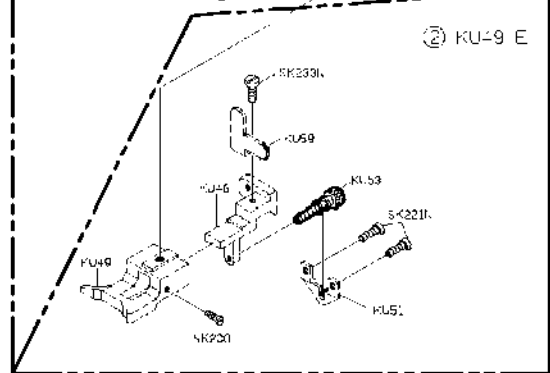
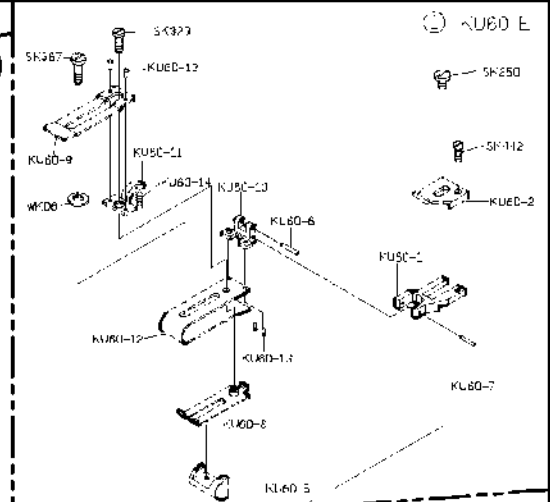
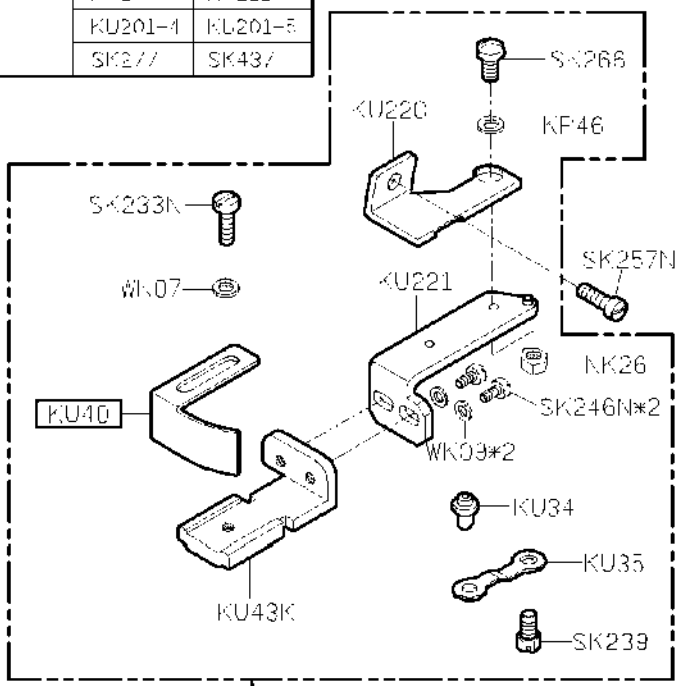
A

B

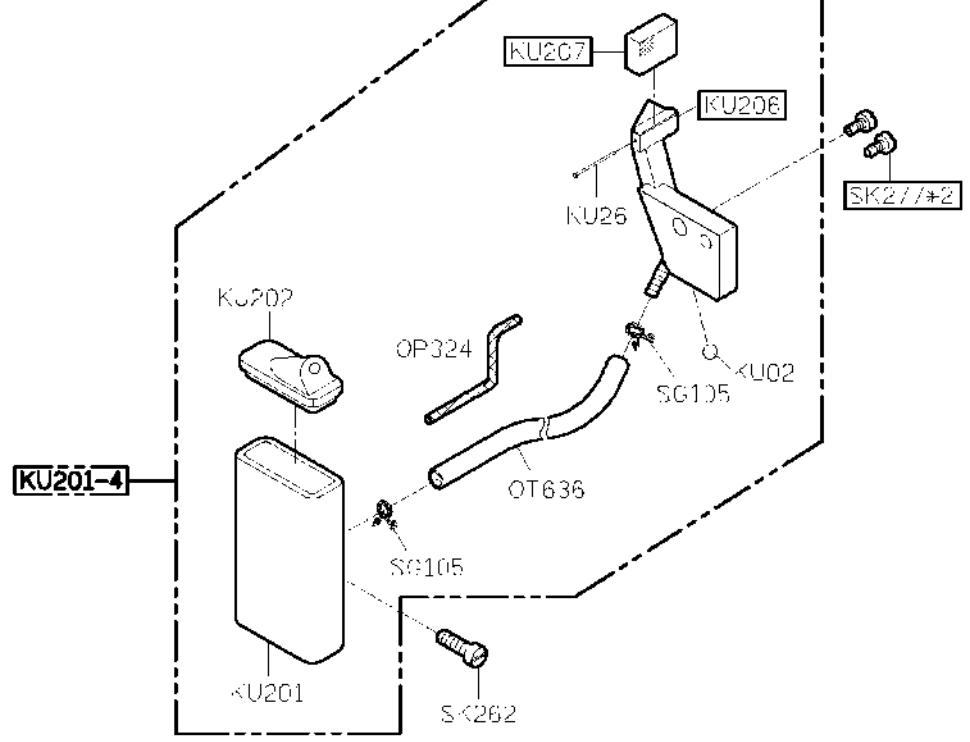
C

D

L



**KU220-4**



SIRUBA PARTS LIST	Series	Parts Group	Subclass / Remark	Page
	700K/700KD	KW		1/4
	988/988D			Date
				2012/08/18

KW10E-3

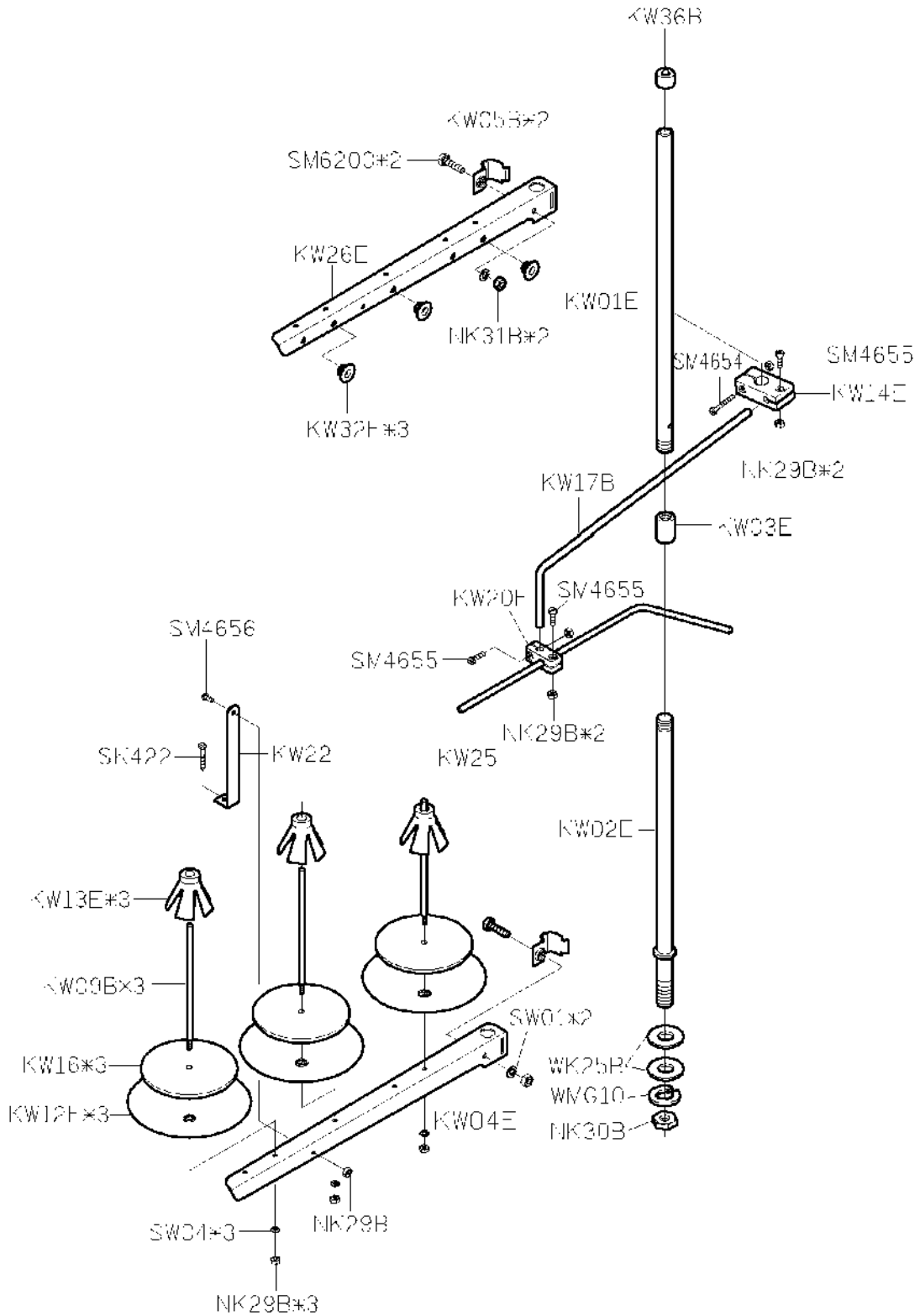
A

B

C

D

L



1

2

3

4

5

<b>SIRUBA</b> <b>PARTS LIST</b>	<b>Series</b>	<b>Parts Group</b>	<b>Subclass / Remark</b>	<b>Page</b>
	700K/700KD	<b>KW</b>		2/4
	988/988D			<b>Date</b>
				2012/09/18

KW40E-1

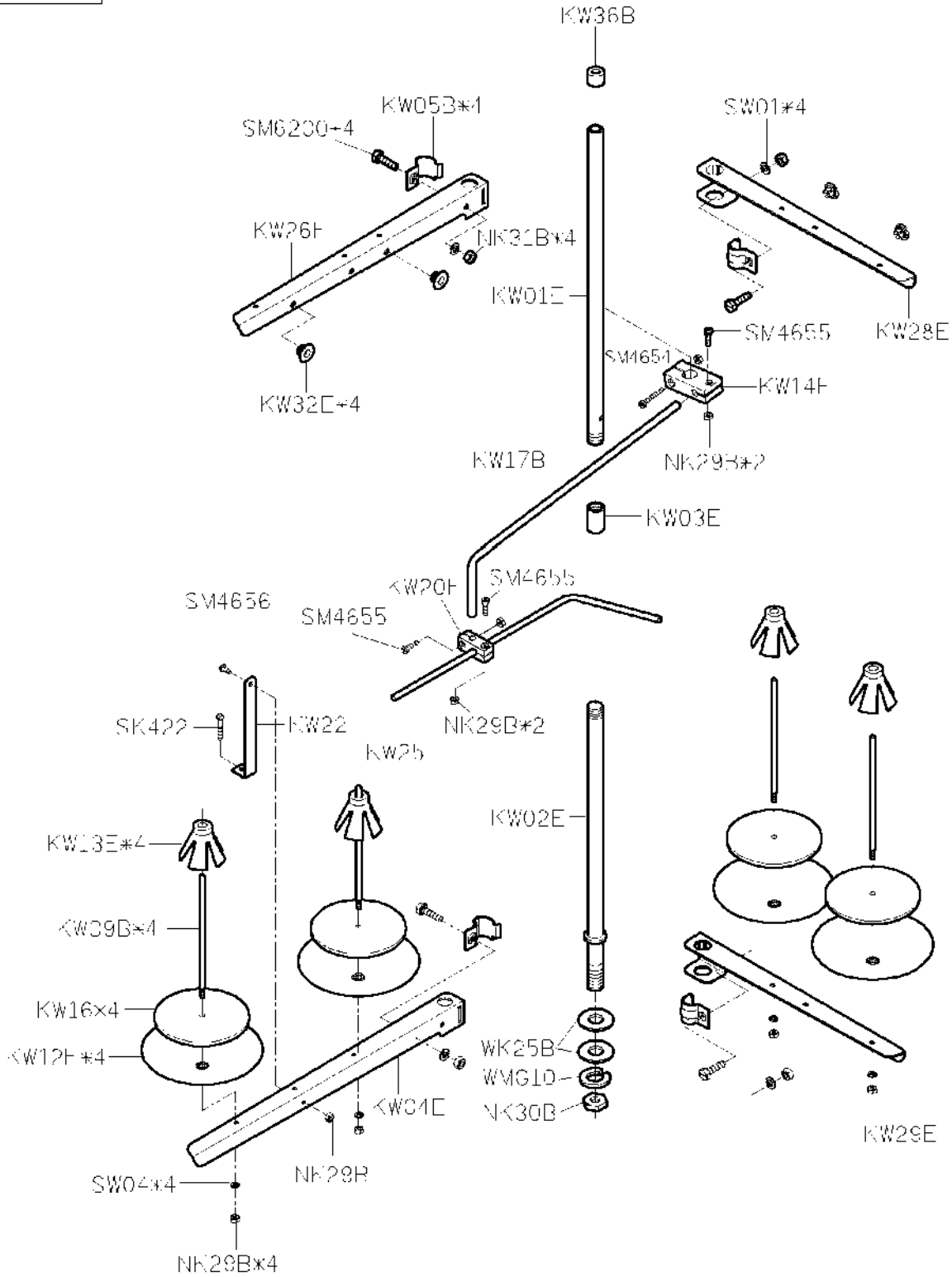
A

B

C

D

L



1

2

3

4

5

<b>SIRUBA</b> <b>PARTS LIST</b>	<b>Series</b>	<b>Parts Group</b>	<b>Subclass / Remark</b>	<b>Page</b>
	<b>700K/700KD</b>	<b>KW</b>		<b>3/4</b>
	<b>988/988D</b>			<b>Date</b>
				<b>2012/09/16</b>

KW40E-3

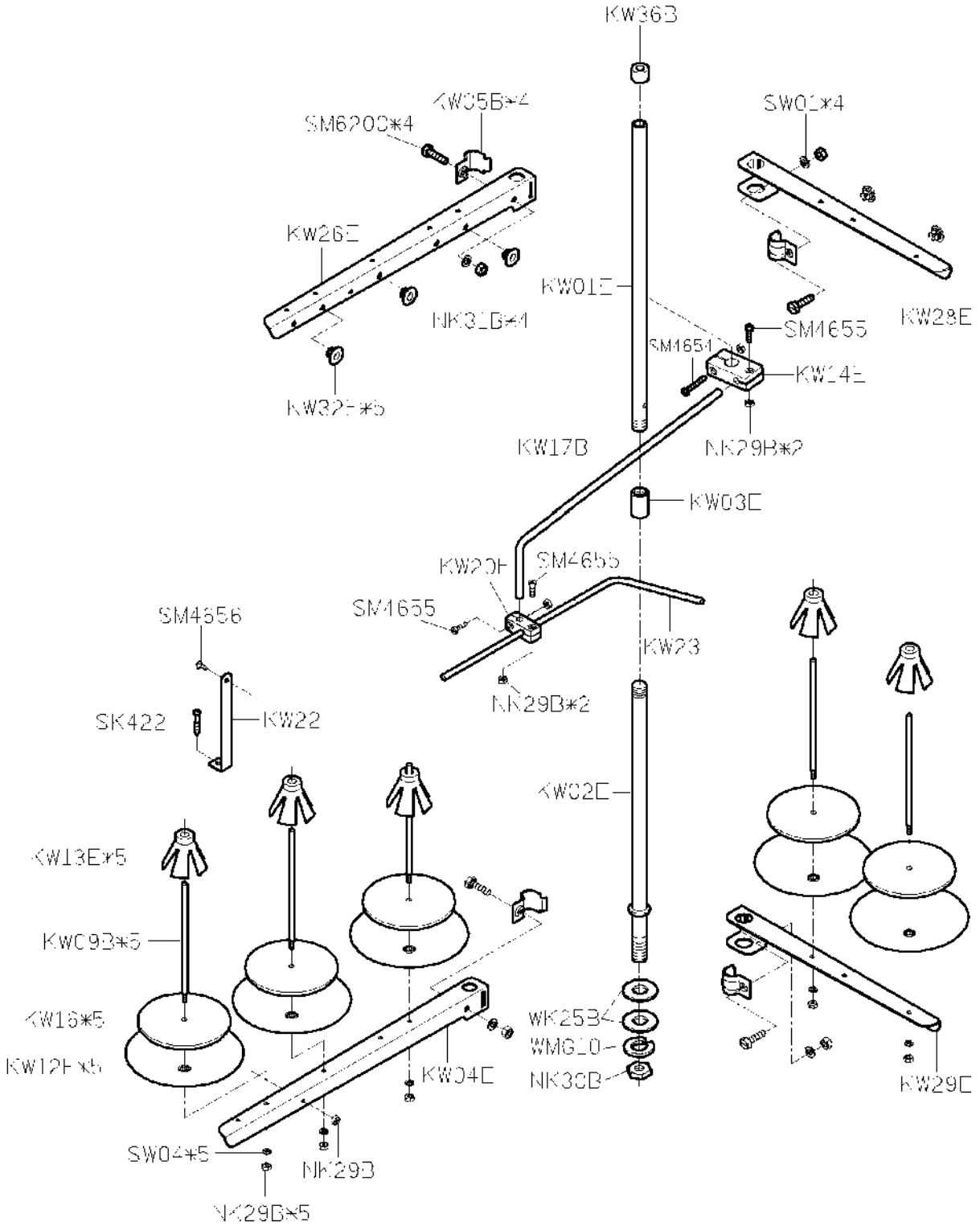
A

B

C

D

L



1

2

3

4

5

<b>SIRUBA</b> <b>PARTS LIST</b>	<b>Series</b>	<b>Parts Group</b>	<b>Subclass / Remark</b>	<b>Page</b>
	700K/700KD	<b>KW</b>		4/4
	988/988D			<b>Date</b>
				2012/09/18

KW10E-6

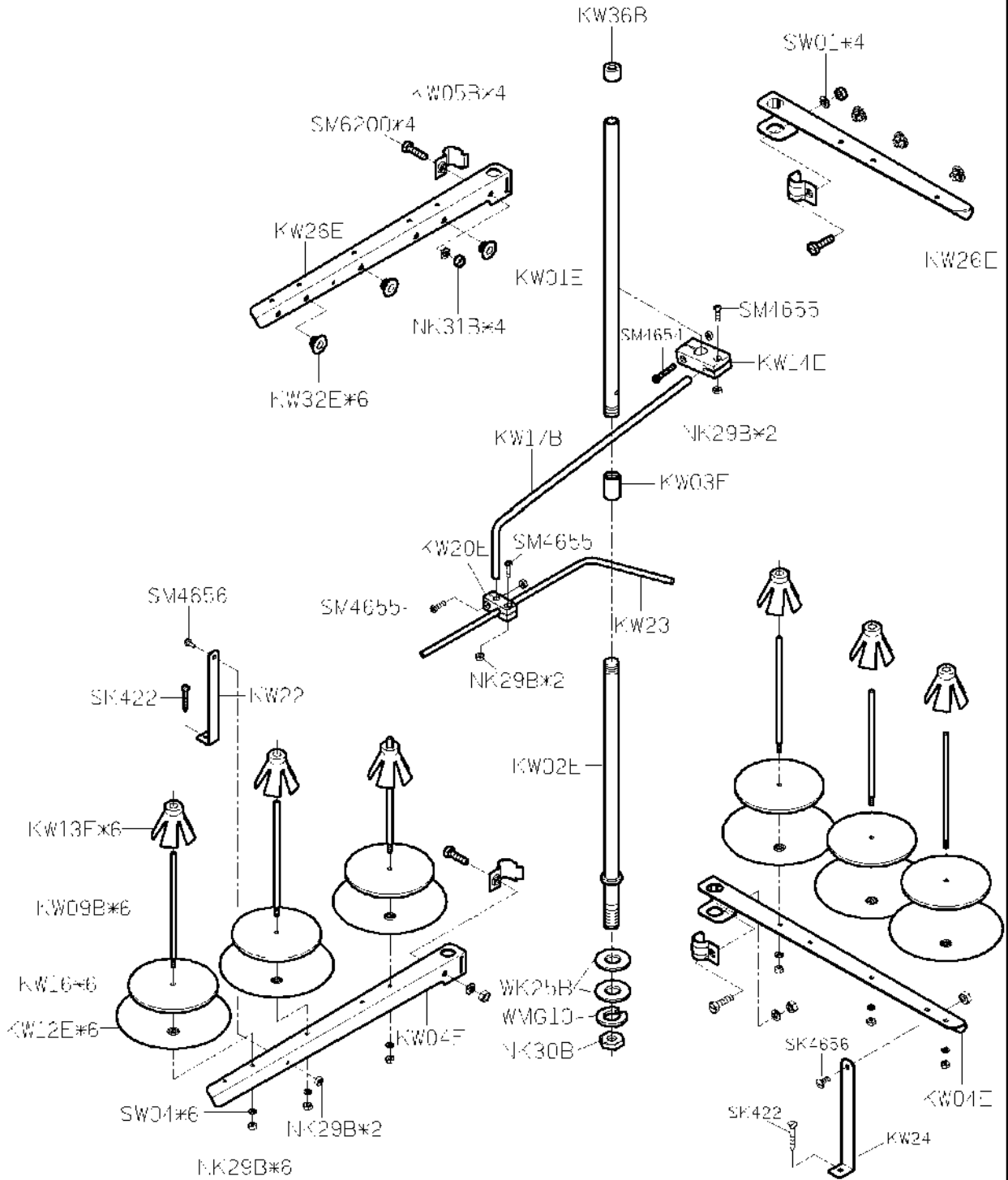
A

B

C

D

L



1

2

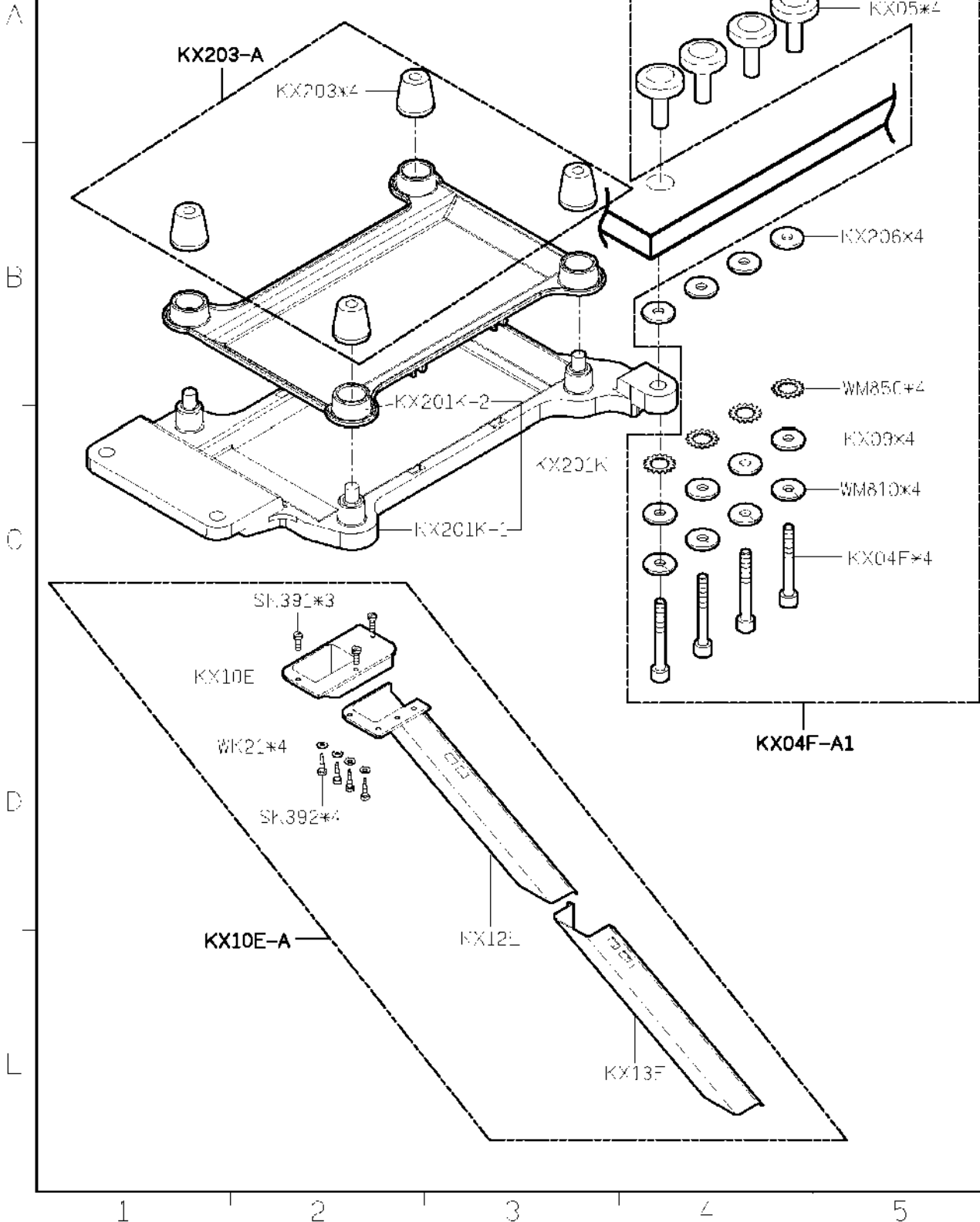
3

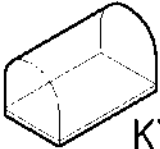
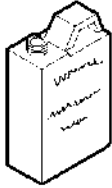










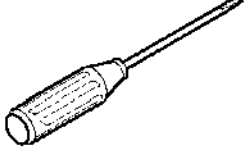
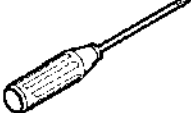

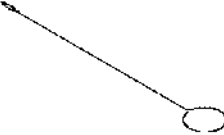



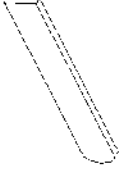



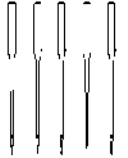
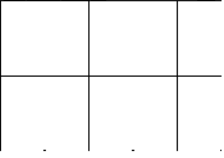
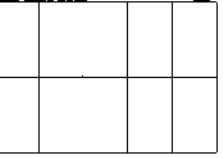
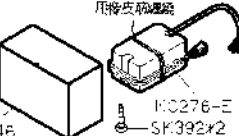
4

5



SIRUBA PARTS LIST	Series	Parts Group	Subclass Remark	Page
	700K/700KD	KX		1/1
	988/988D			Date
				2012/09/18



SIRUBA PARTS LIST	Series	Parts Group	Subclass Remark	Page
	700K/700KD 988/988D	KY	*: Use for 700KD/988D	1/1
				Date
				2012/09/18
KY01 1 防塵罩	KY02F A 油罐	KY03 油壺	KY04 漏斗	KY05 A 油壺
 KY23-A			 KY10-A	
KY23 內六角扳手	KY09 開口扳手	KY10 六角扳手	KY11 六角扳手	KY12 六角扳手
		 KY16-A		
SK216 螺絲	KY14 內六角螺絲起子	KY16 一字起子	KY17 一字起子	KY18 鑷子
				
KY19 穿線器	KY20D A 腳踏板	KY21 A/MY21 A 鉤子/鍊條	KY20E 工具袋	
				
KR35 下刀片	KT14-A 濾油器	KY30 針板紙	KZ03 乾燥濟	針*5 車針
				
K708K 使用說明書	KZ08K-2 零件圖	*KC276 A 燈座電器組		
		 用橡皮筋纏繞 KC276-E SK392x2		

1

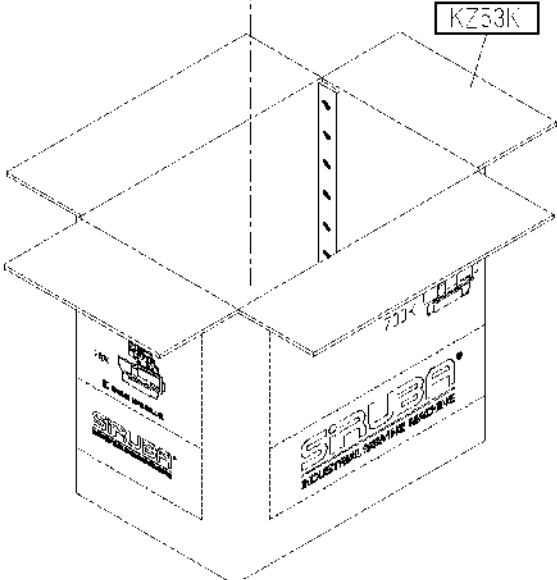
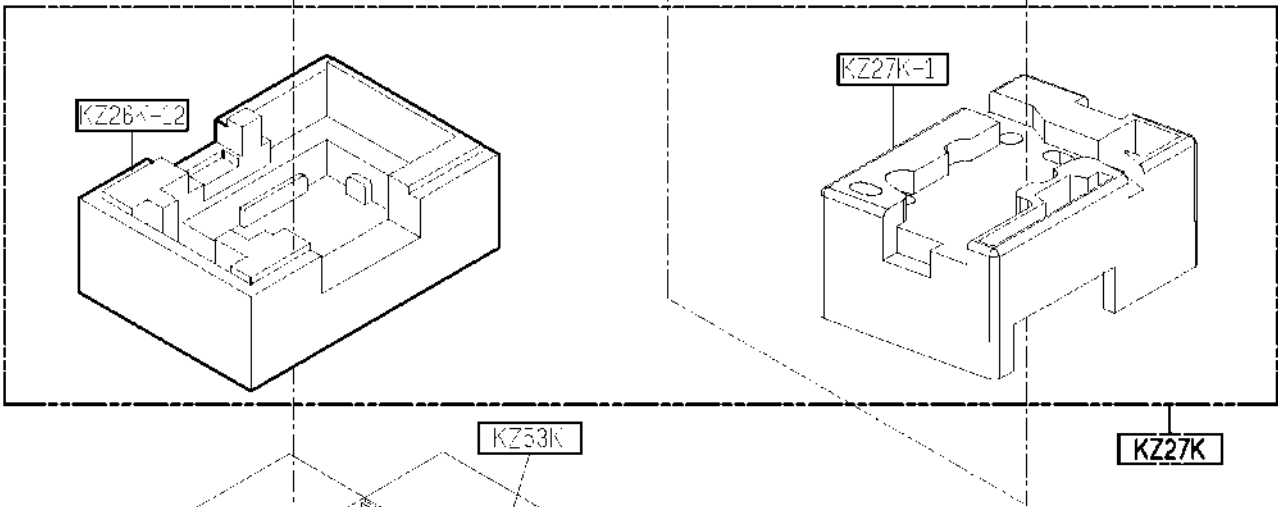
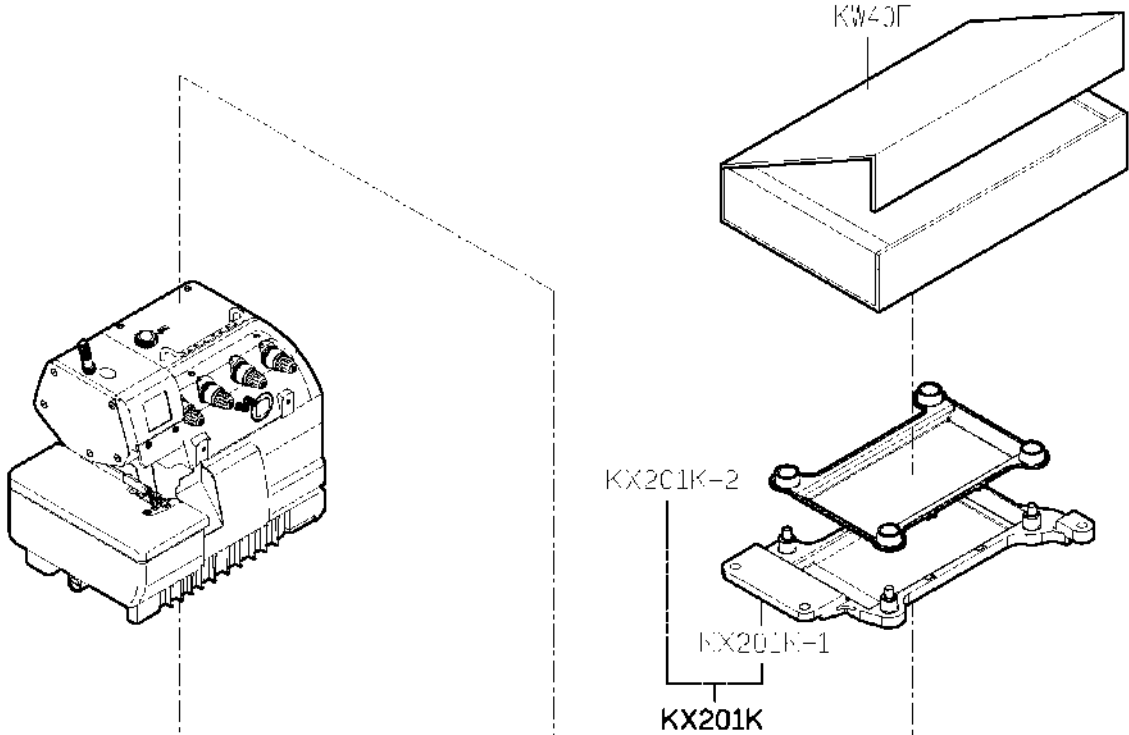
2

3

4

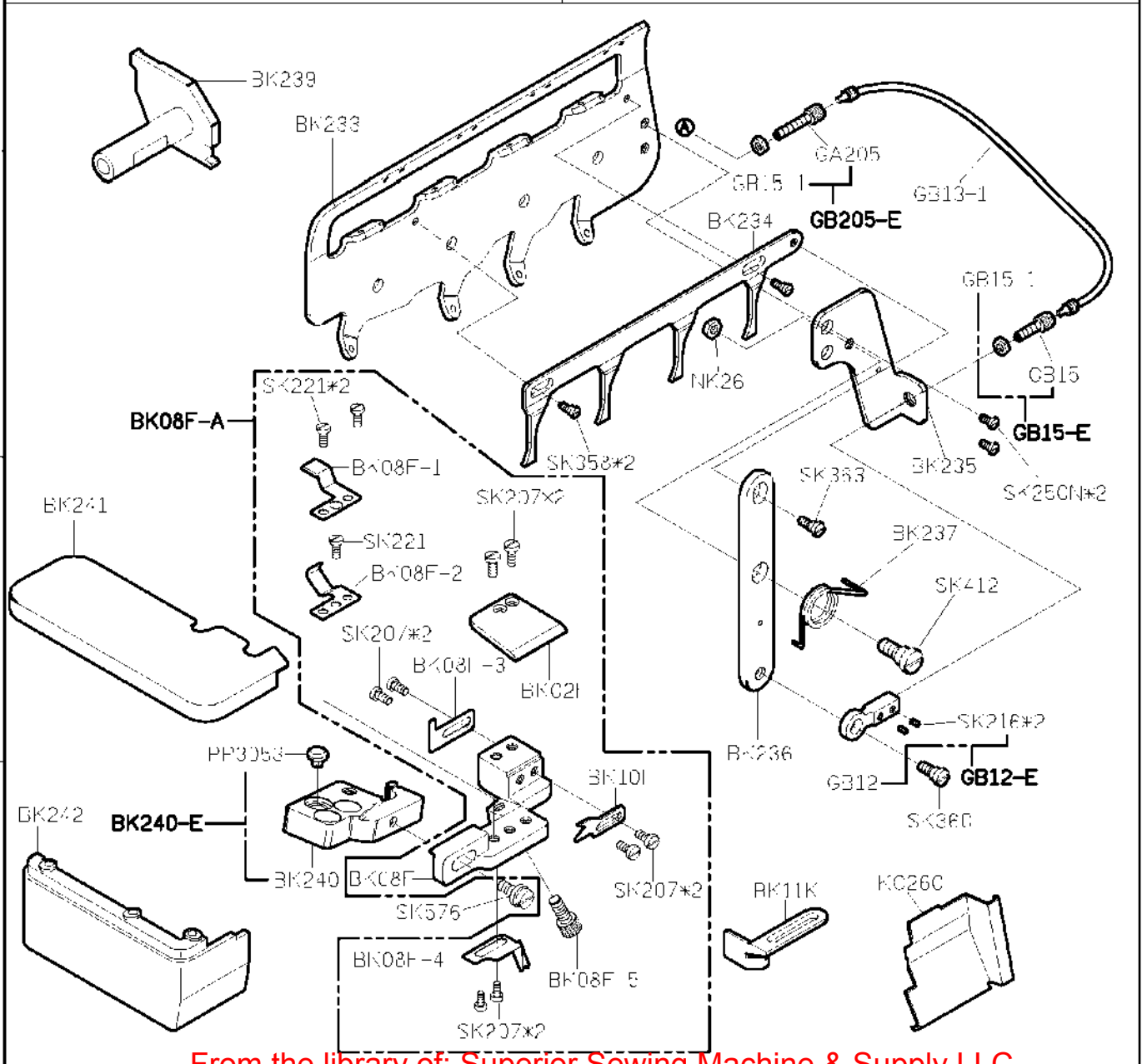
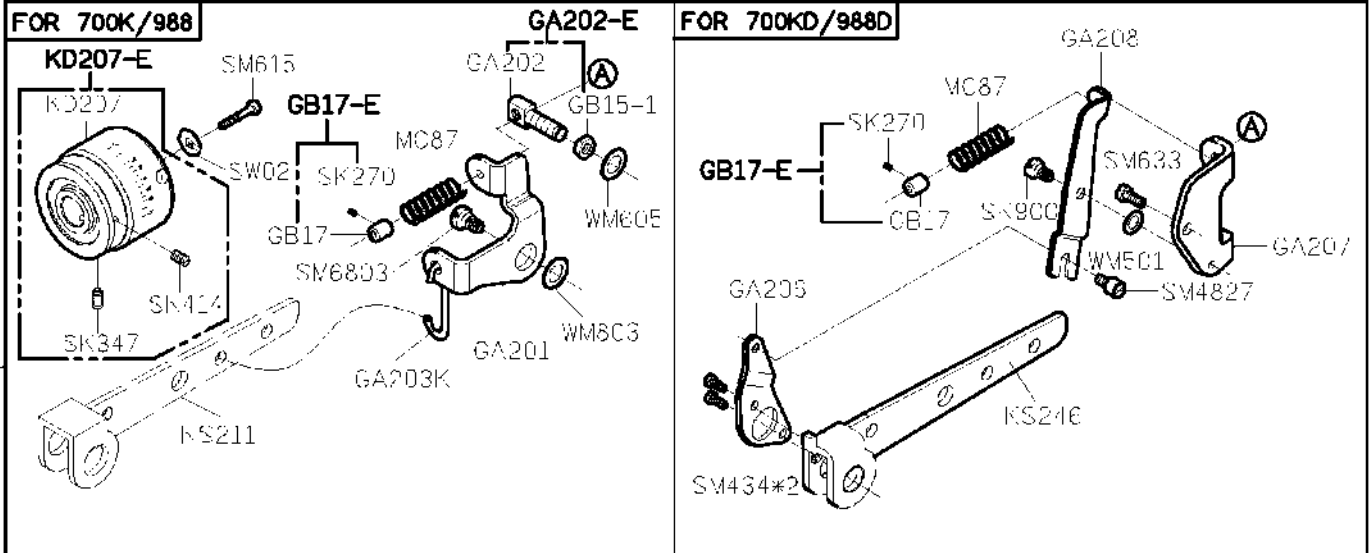
5

<b>SIRUBA</b> <b>PARTS LIST</b>	<b>Series</b>	<b>Parts Group</b>	<b>Subclass Remark</b>	<b>Page</b>
	700K/700KD	<b>KZ</b>		1/1
	988/988D			<b>Date</b>
				2012/11/27

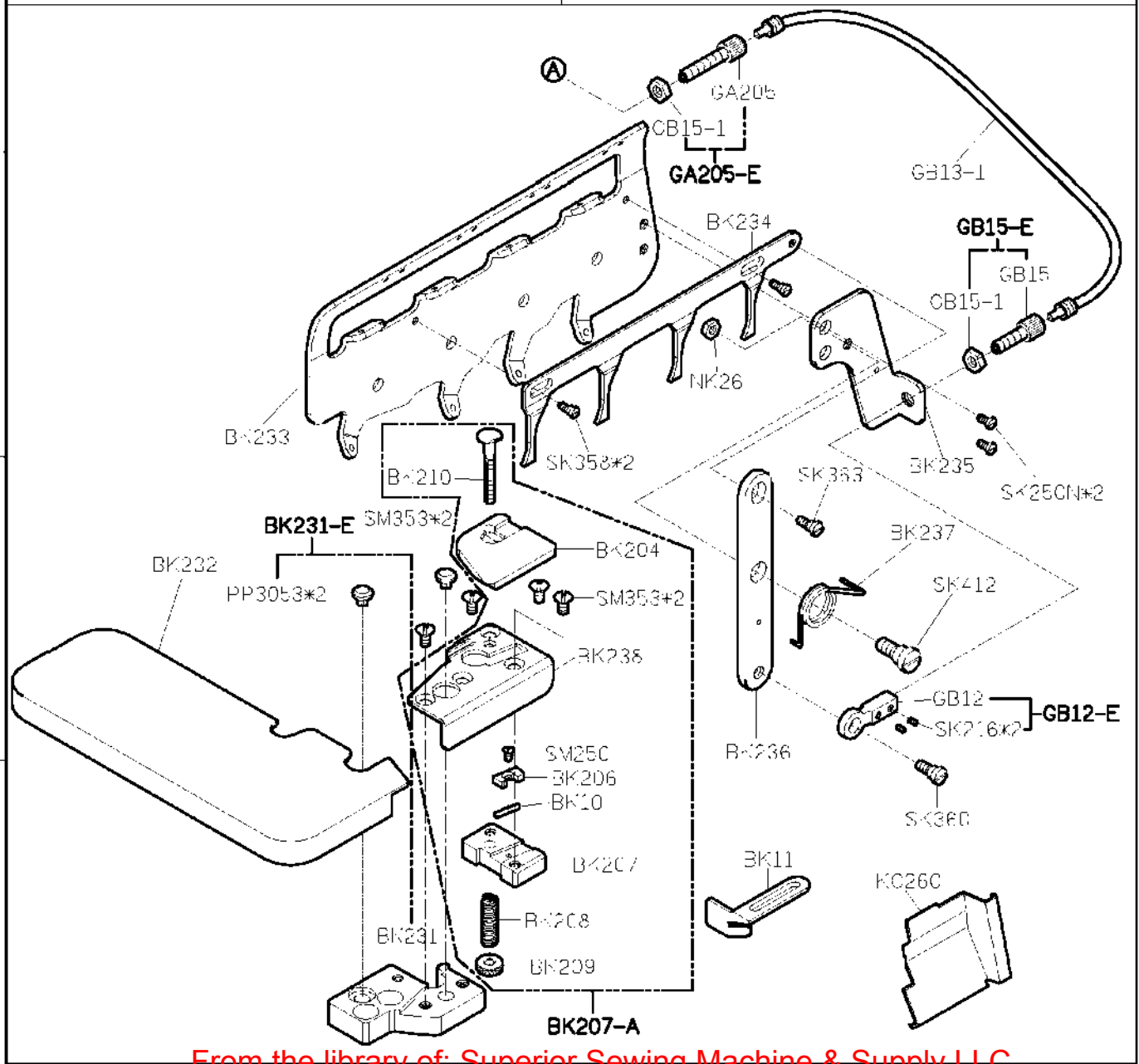
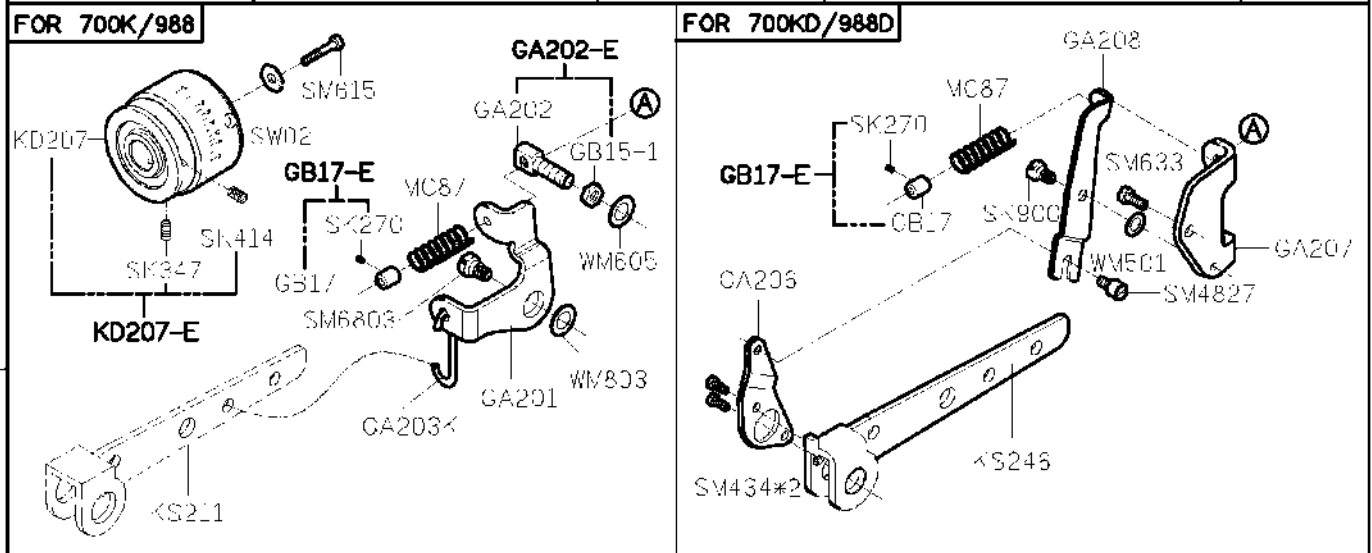


MODEL	PARTS NO		
700K	<Z53K	KZ27K	<Z27K-1/KZ26K-12
988	<Z53K-1	KZ27K	<Z27K-1/KZ26K-12
700KD	<Z53KD	KZ27K	<Z27K-1/KZ26K-12
988D	<Z53KD-1	KZ27K	<Z27K-1/KZ26K-12
700K-LFC	<Z55K	<Z51K	<Z51K-1/KZ26K-2
988-LFC	<Z55K-1	<Z51K	<Z51K-1/KZ26K-2
700KD-LFC	<Z55KD	<Z51K	<Z51K-1/KZ26K-2
988D-LFC	<Z55KD-1	<Z51K	<Z51K-1/KZ26K-2

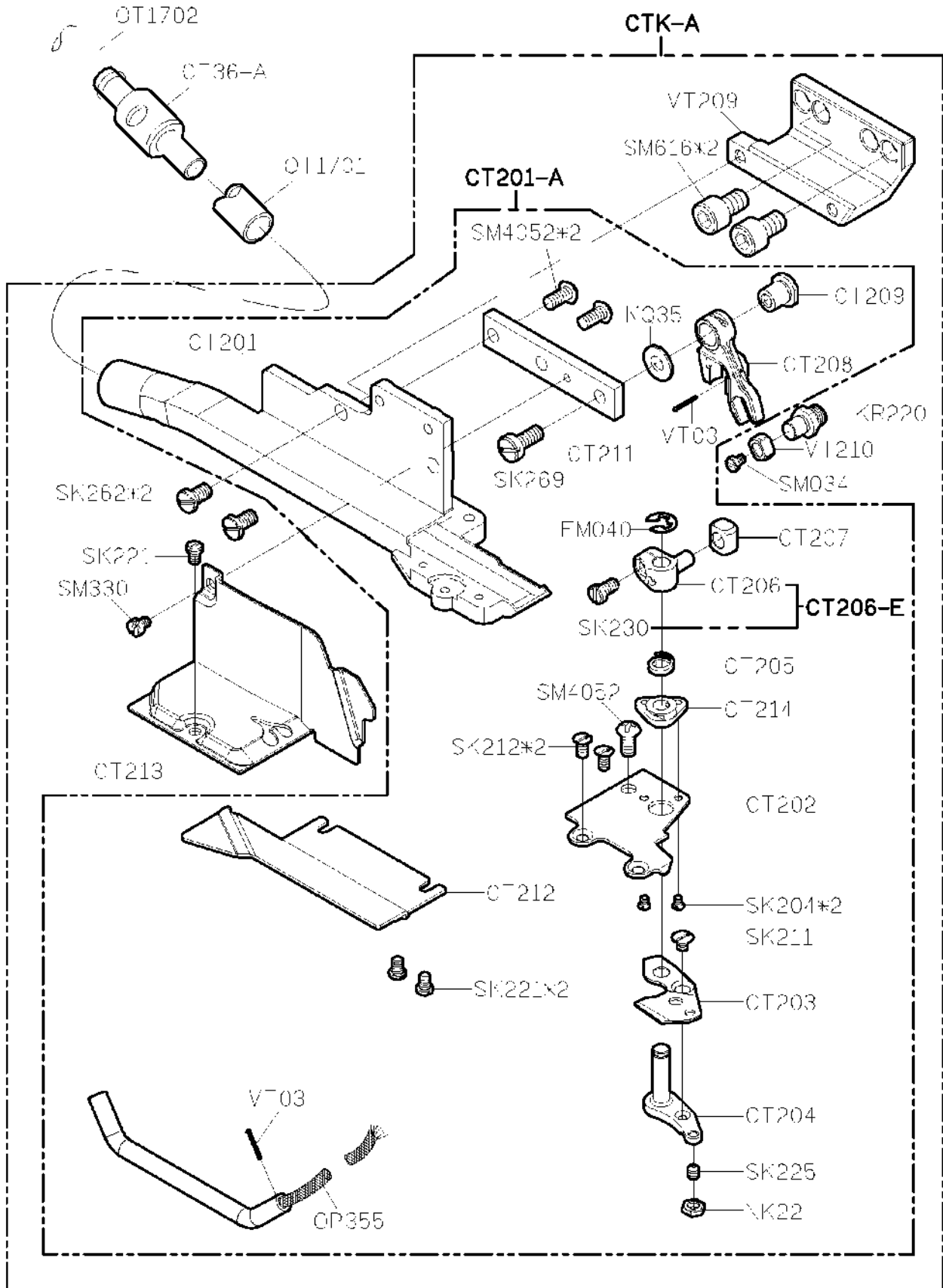
SIRUBA PARTS LIST	Series	Parts Group	Subclass / Remark	Page
	700K/700KD	BK-1K		1/1
	988/988D			Date
				2012/12/18



SIRUBA PARTS LIST	Series	Parts Group	Subclass / Remark	Page
	700K/700KD	<b>BK-K</b>		1/1
	988/988D		Date	
			2012/12/18	



SIRUBA PARTS LIST	Series	Parts Group	Subclass / Remark	Page
	700K/700KD	<b>CT-K</b>		1/1
	988/988D		Date	
			2012/12/18	



<b>SIRUBA</b> <b>PARTS LIST</b>	<b>Series</b>	<b>Parts Group</b>	<b>Subclass / Remark</b>	<b>Page</b>
	<b>700K/700KD</b>	<b>EC-K</b>	<b>EC-K for Short Knife</b>	<b>1/4</b>
	<b>988/988D</b>		<b>EC-K-A for Long Knife</b>	<b>Date</b>
			<b>#:Use for 700KD/988D</b>	<b>2012/12/13</b>
			<b>●:Use for Long Knife</b>	

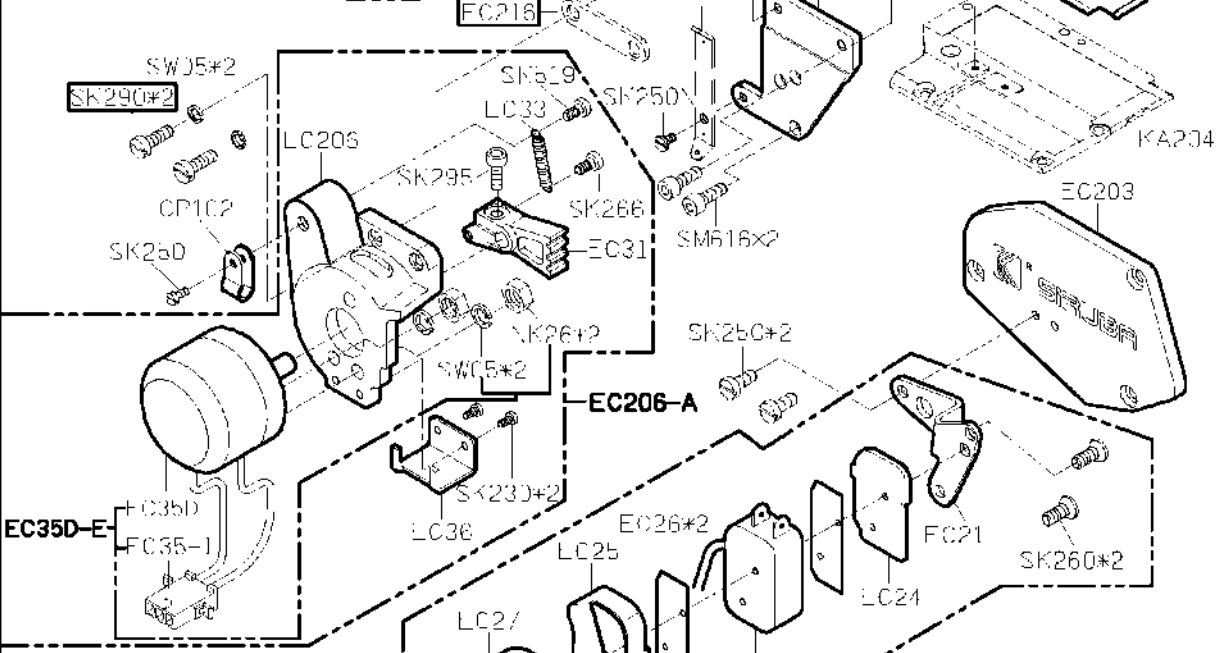
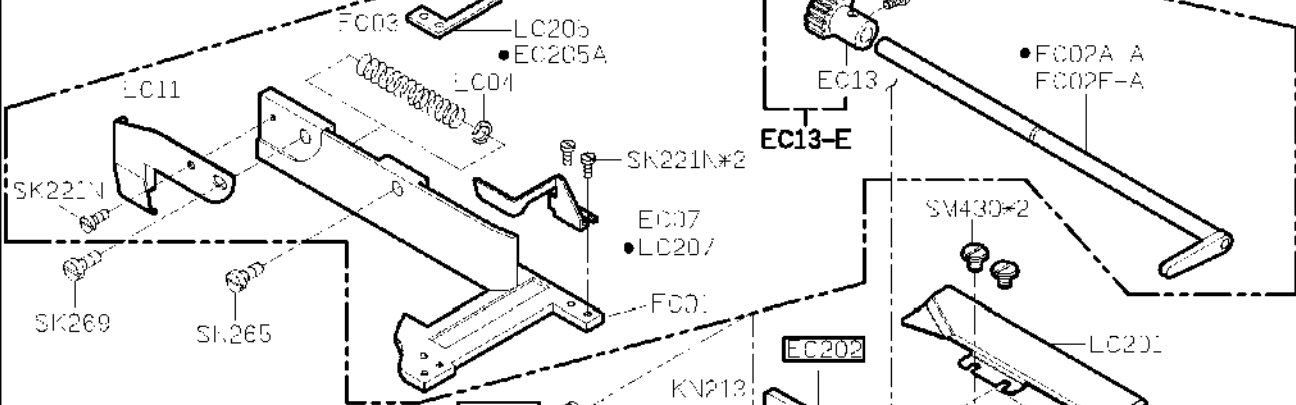
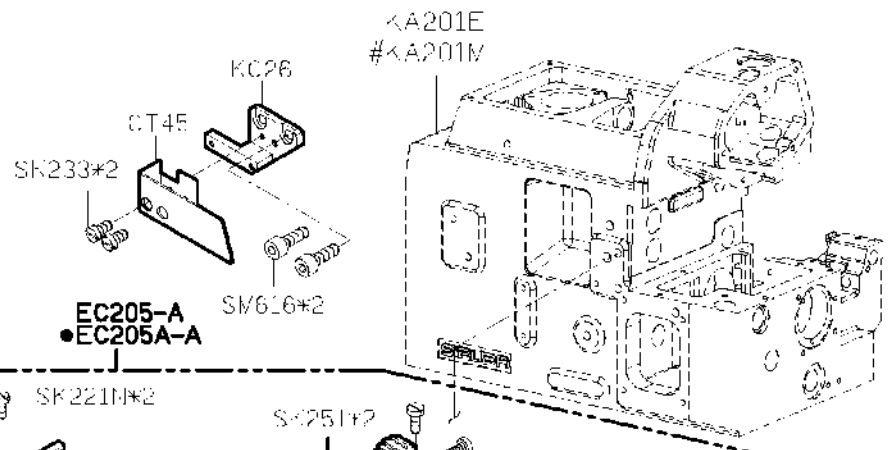
Option : • Long Knife

●EC208 (For Long Knife)

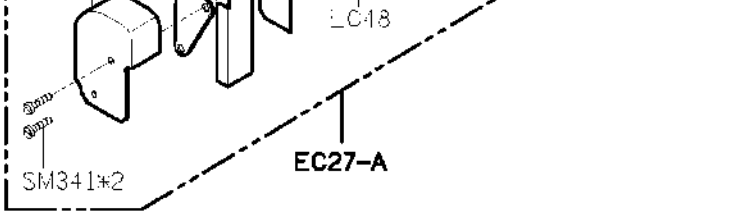
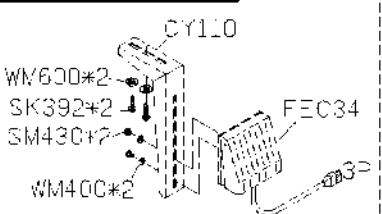


Long knife cut limit 22mm  
Short knife cut limit 16mm

MODEL	LC	LC+BK	LC-GA
PARTS NO	LC202	LC215	LC215
	SK290	EC218	FC216
		SK612	SK612



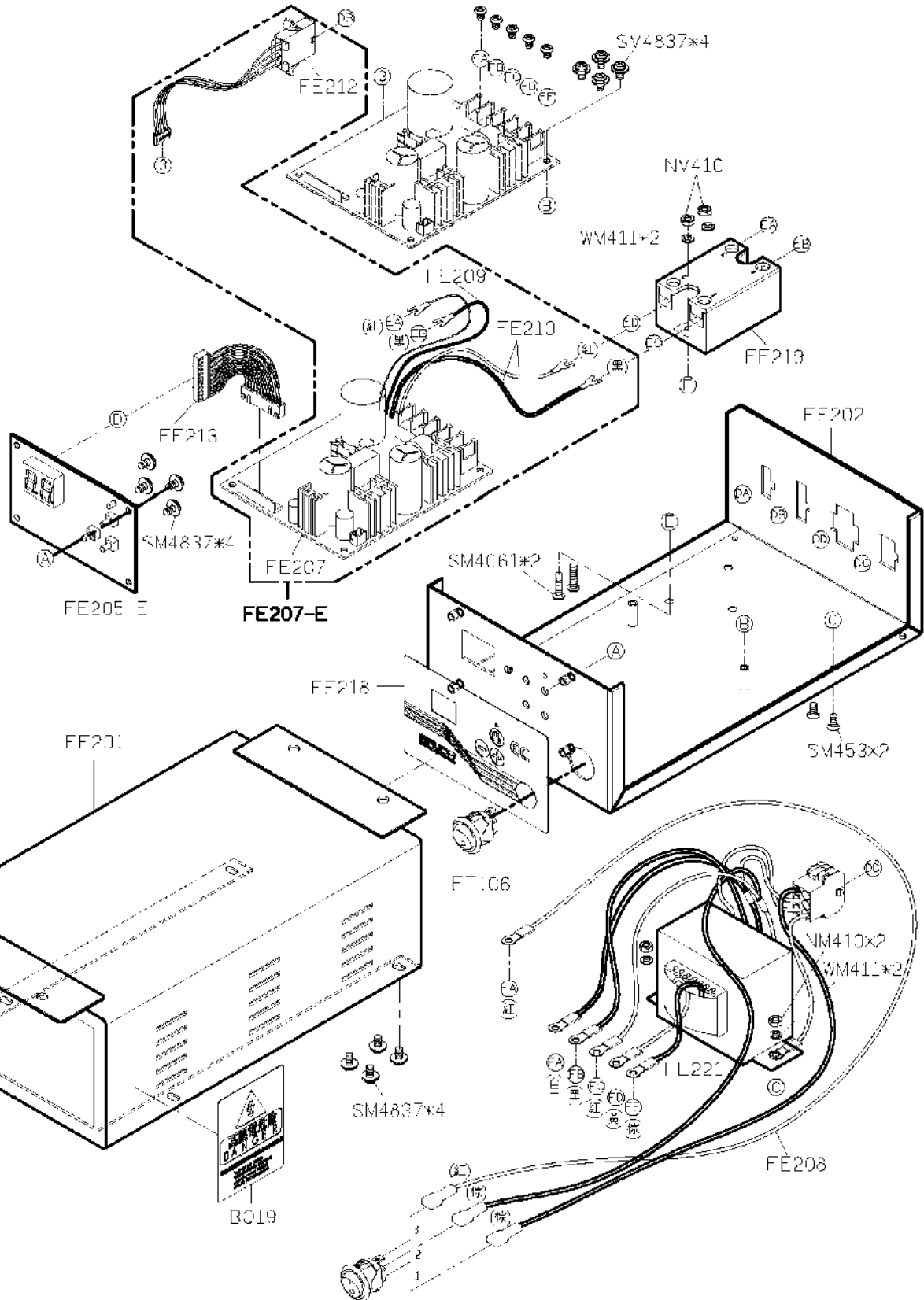
Option : LC34-A



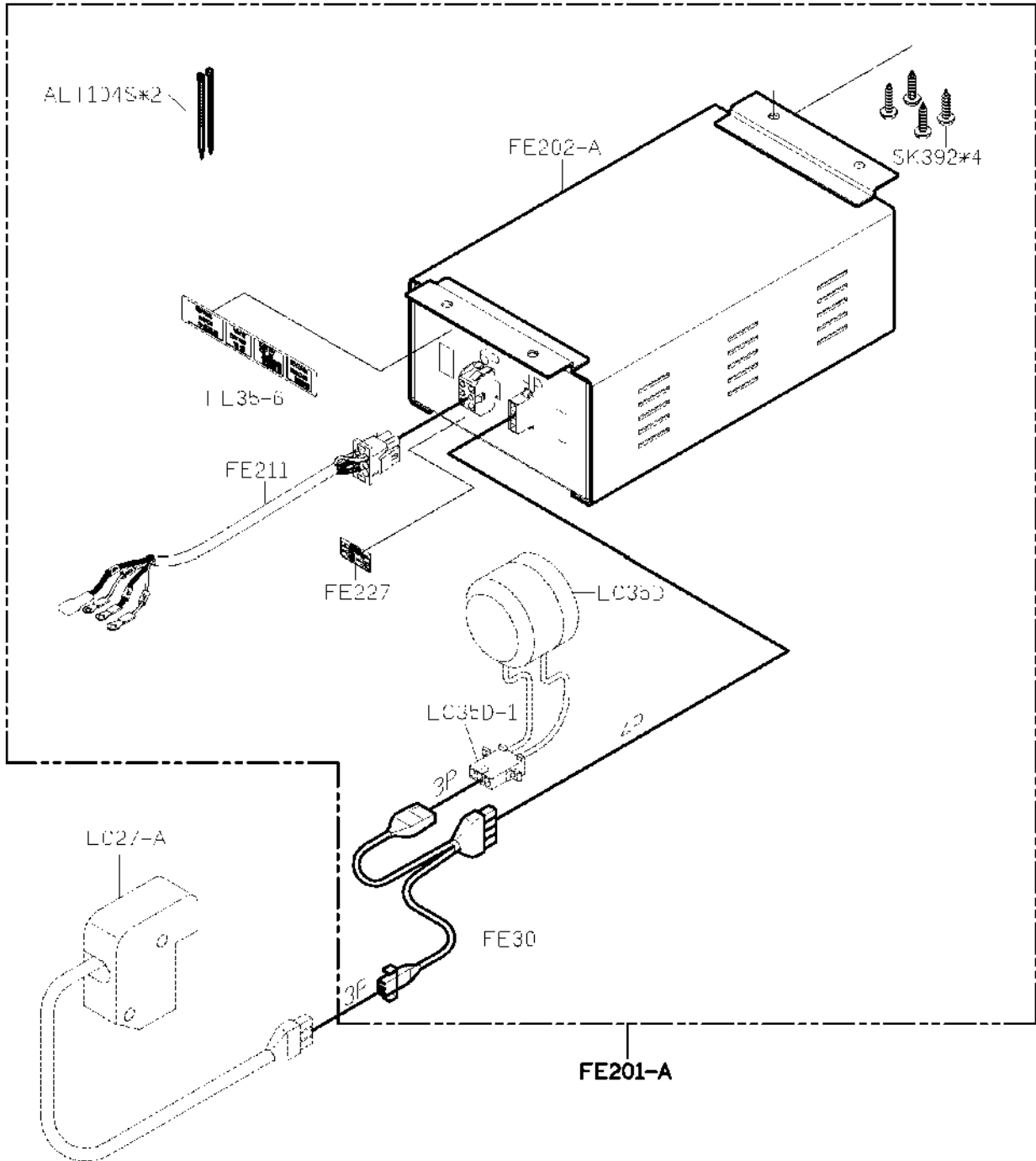


SIRUBA PARTS LIST	Series	Parts Group	Subclass / Remark	Page
	700K/700KD 988/988D	EC-K		2/4
				Date 2012/11/16

FE202-A

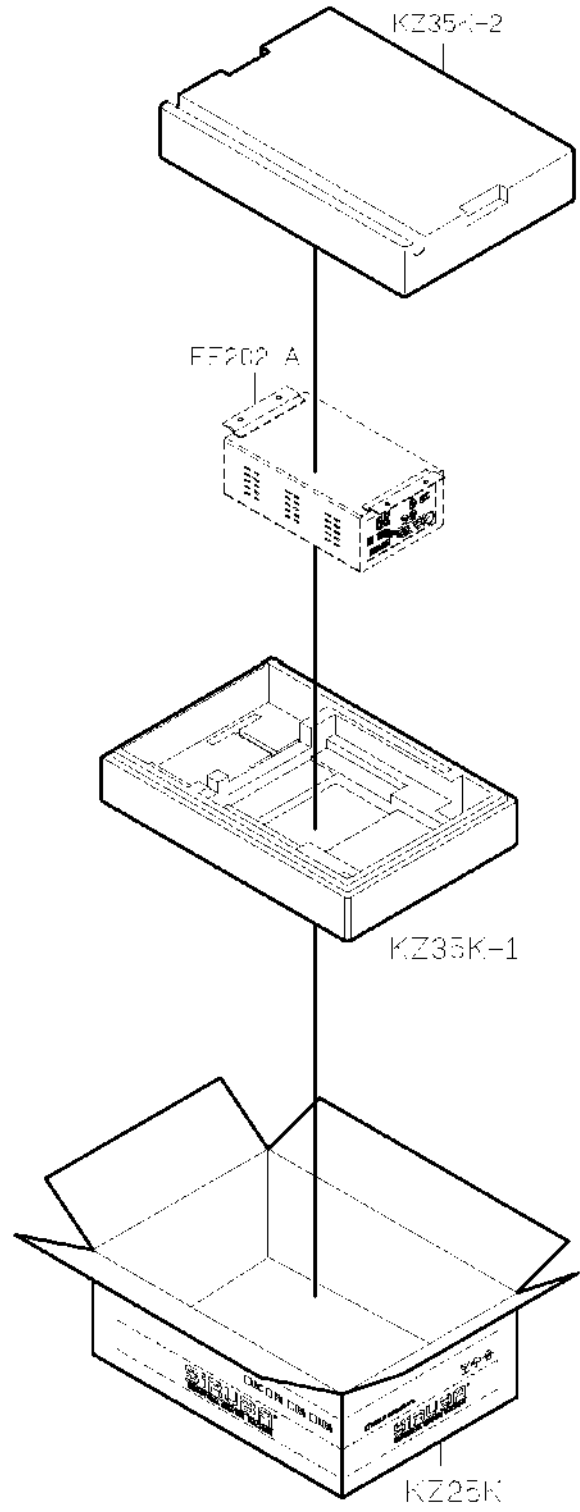


SIRUBA PARTS LIST	Series	Parts Group	Subclass / Remark	Page
	700K/700KD	EC-K		3/4
	988/988D			Date
				2012/11/16

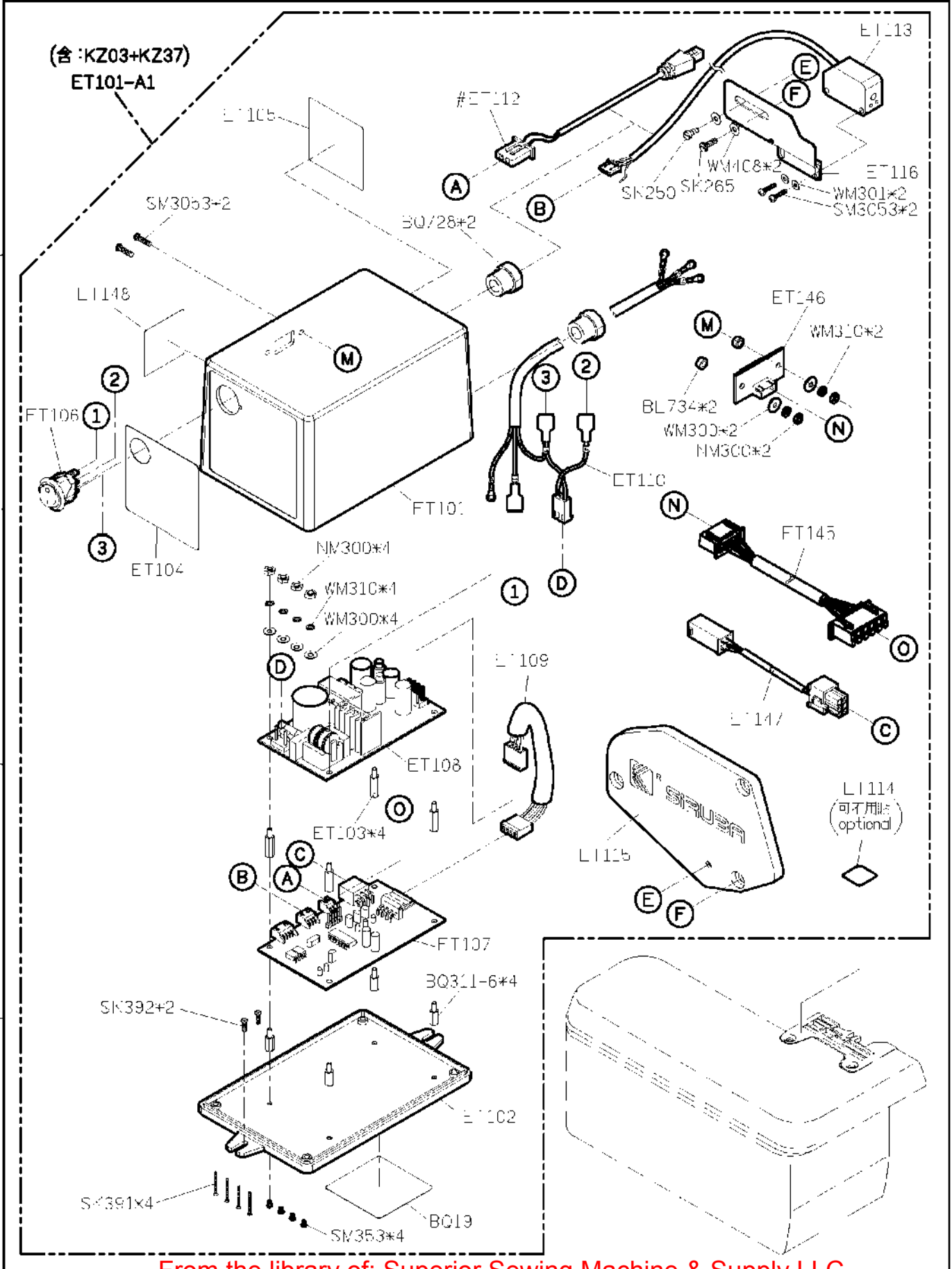


SIRUBA PARTS LIST	Series	Parts Group	Subclass / Remark	Page
	700K/700KD	EC-K		4/4
	988/988D		Date	
				2012/11/16

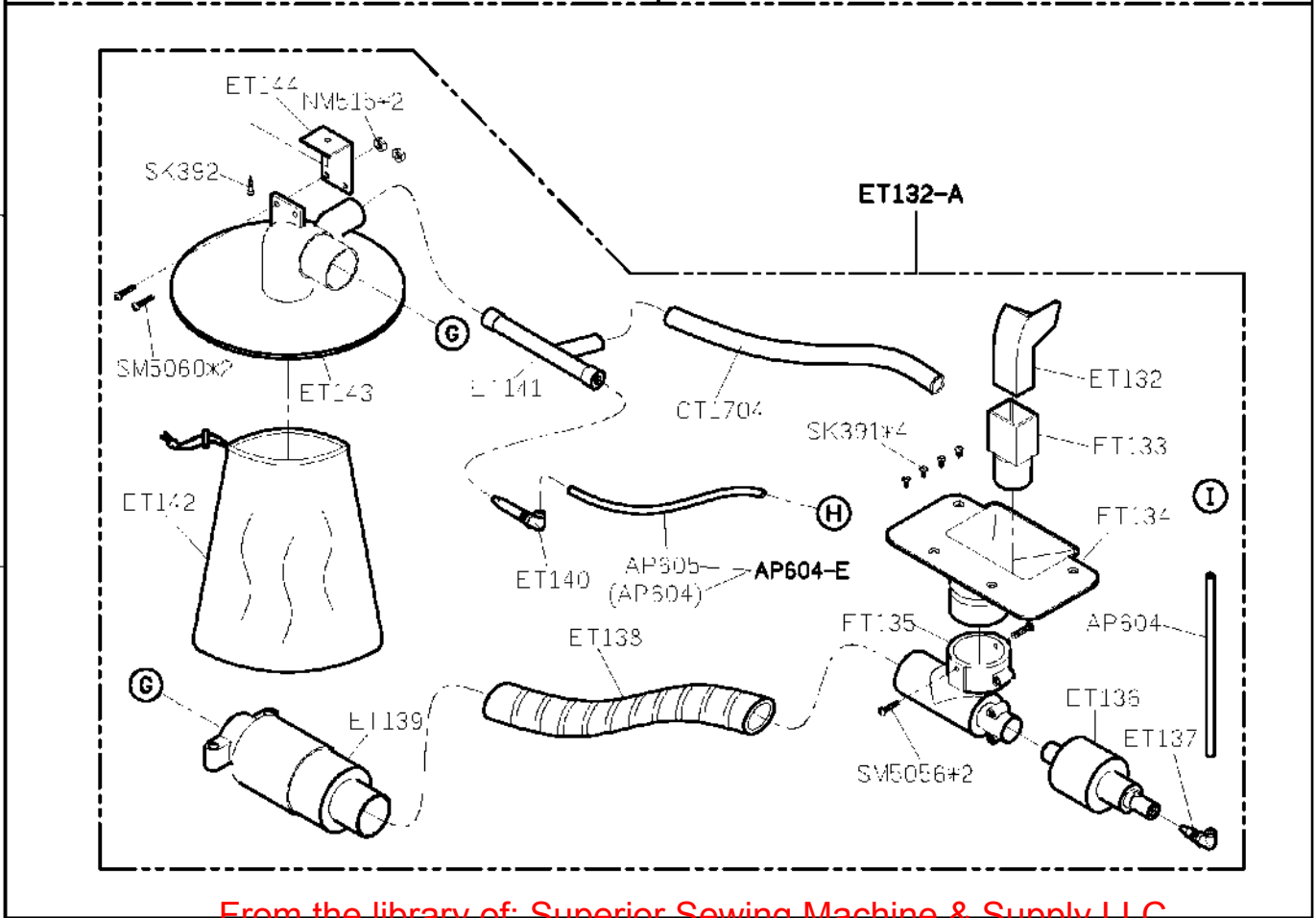
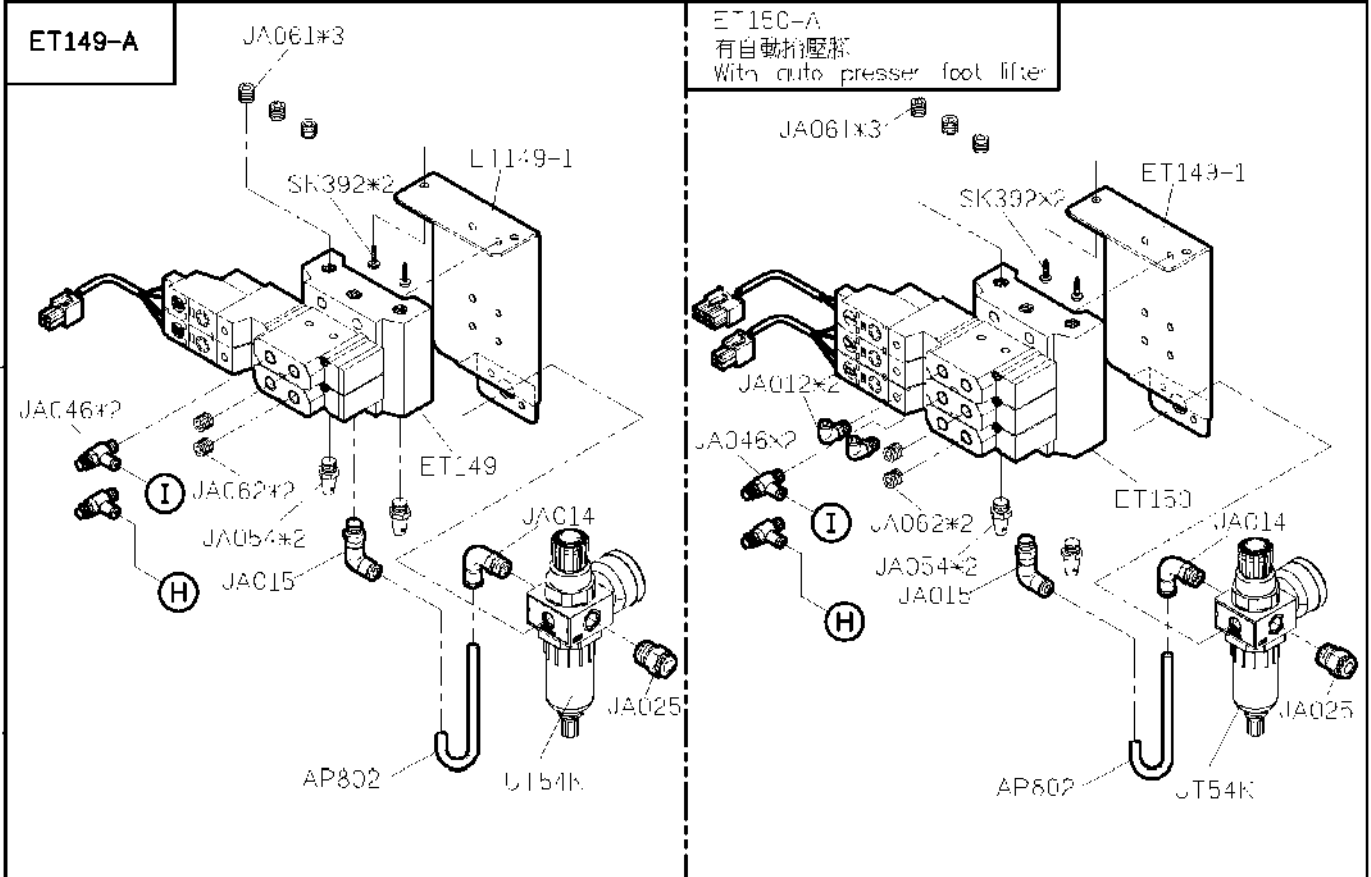
A  
B  
C  
D  
E



SIRUBA PARTS LIST	Series	Parts Group	Subclass / Remark	Page
	700K/700KD 988/988D	<b>ET-K</b>	# : Use for 700K/988	1/3
				Date 2012/12/18



SIRUBA PARTS LIST	Series	Parts Group	Subclass / Remark	Page
	700K/700KD	ET-K		2/3
	988/988D			Date
	2012/12/18			



<b>SIRUBA</b> <b>PARTS LIST</b>	<b>Series</b>	<b>Parts Group</b>	<b>Subclass / Remark</b>	<b>Page</b>
	700K/700KD 988/988D	<b>ET-K</b>		3/3
				<b>Date</b> 2012/12/18

ET-A1 (二連裝 For two joints)

ET-A2 (三連裝 For three joints)

703

K737

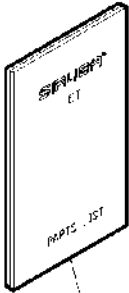
ET101-A1

ET-149-A (一連裝 For two joints)

ET-150-A (一連裝 For three joints)

ET132-A

225K

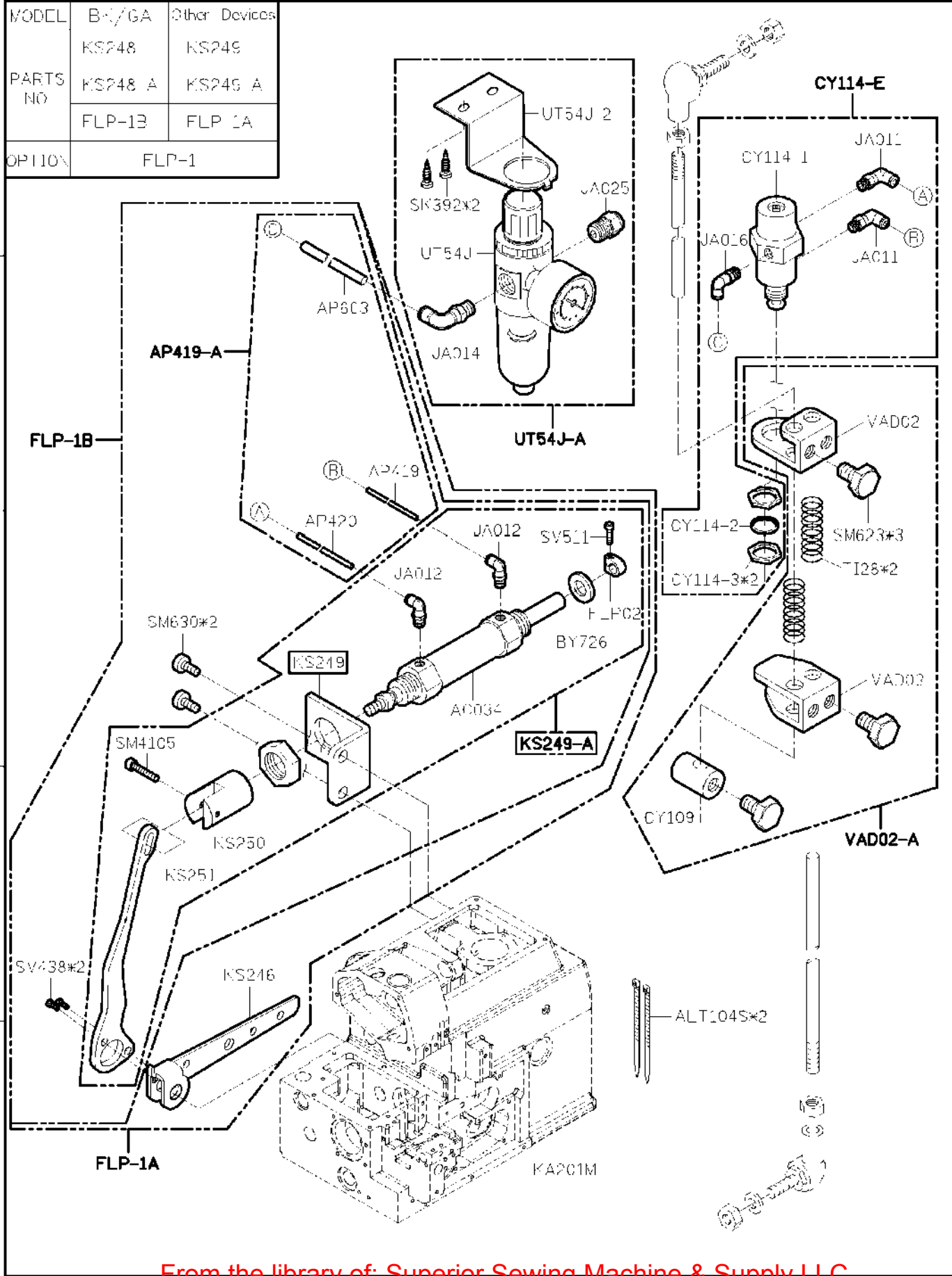


ET-K

機種 Model	有自動抬壓腳 With Auto Presser Foot Lifter	
	無自動抬壓腳 Without Auto Presser Foot Lifter	廠內成車用 For the machine
/700K/988	ET-A1	ET-A2
/700KD/988D	ET-A1	ET-A2

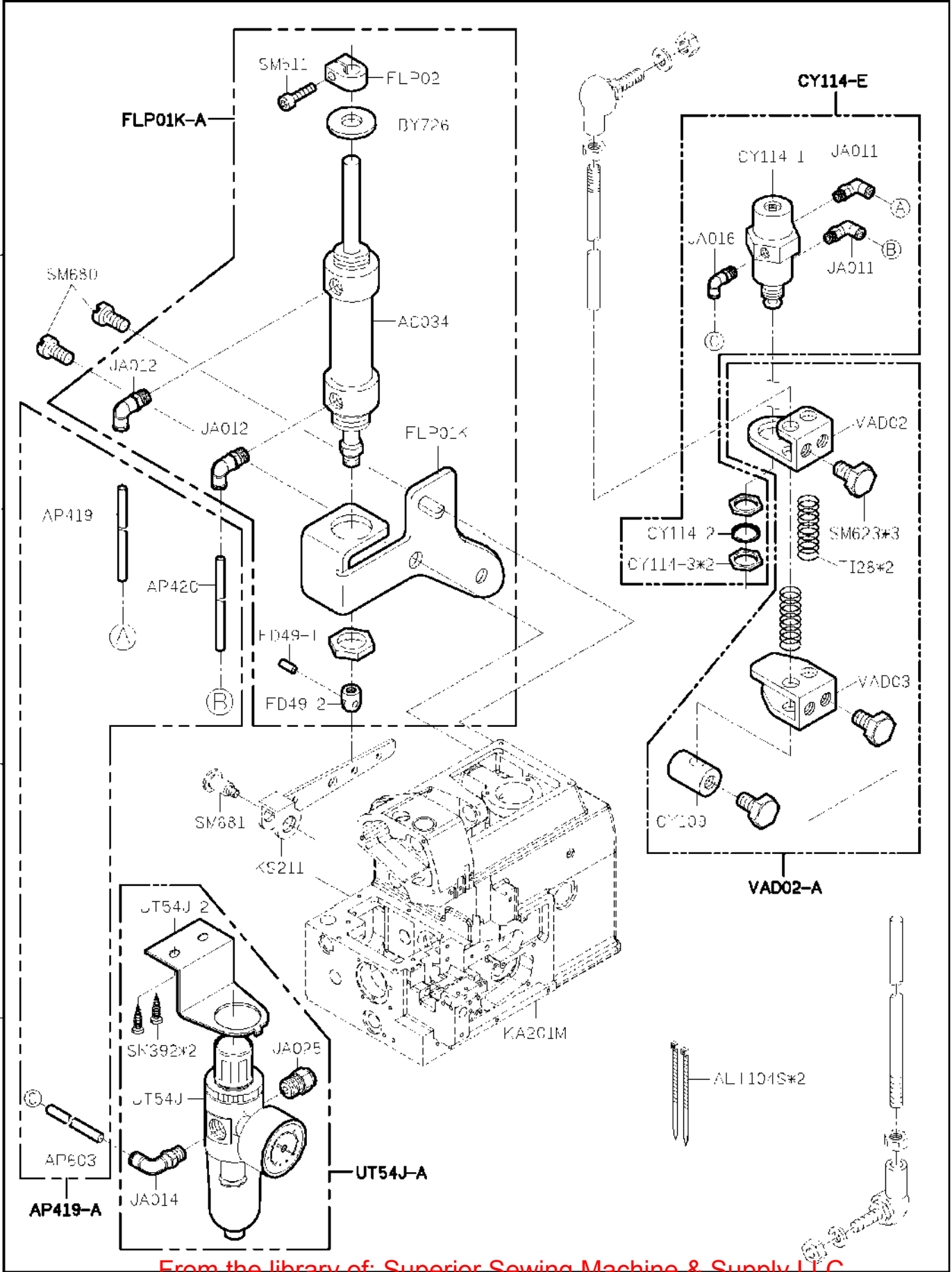
<b>SIRUBA</b> <b>PARTS LIST</b>	<b>Series</b>	<b>Parts Group</b>	<b>Subclass Remark</b>	<b>Page</b>
	700K/700KD 988/988D	<b>FLP-1</b>	Use for 700KD/988D only	1/1
				<b>Date</b>
				2012/12/18

MODEL	B-/GA	Other Devices
	KS248	KS249
PARTS NO	KS248 A	KS249 A
	FLP-1B	FLP-1A
OPTION	FLP-1	

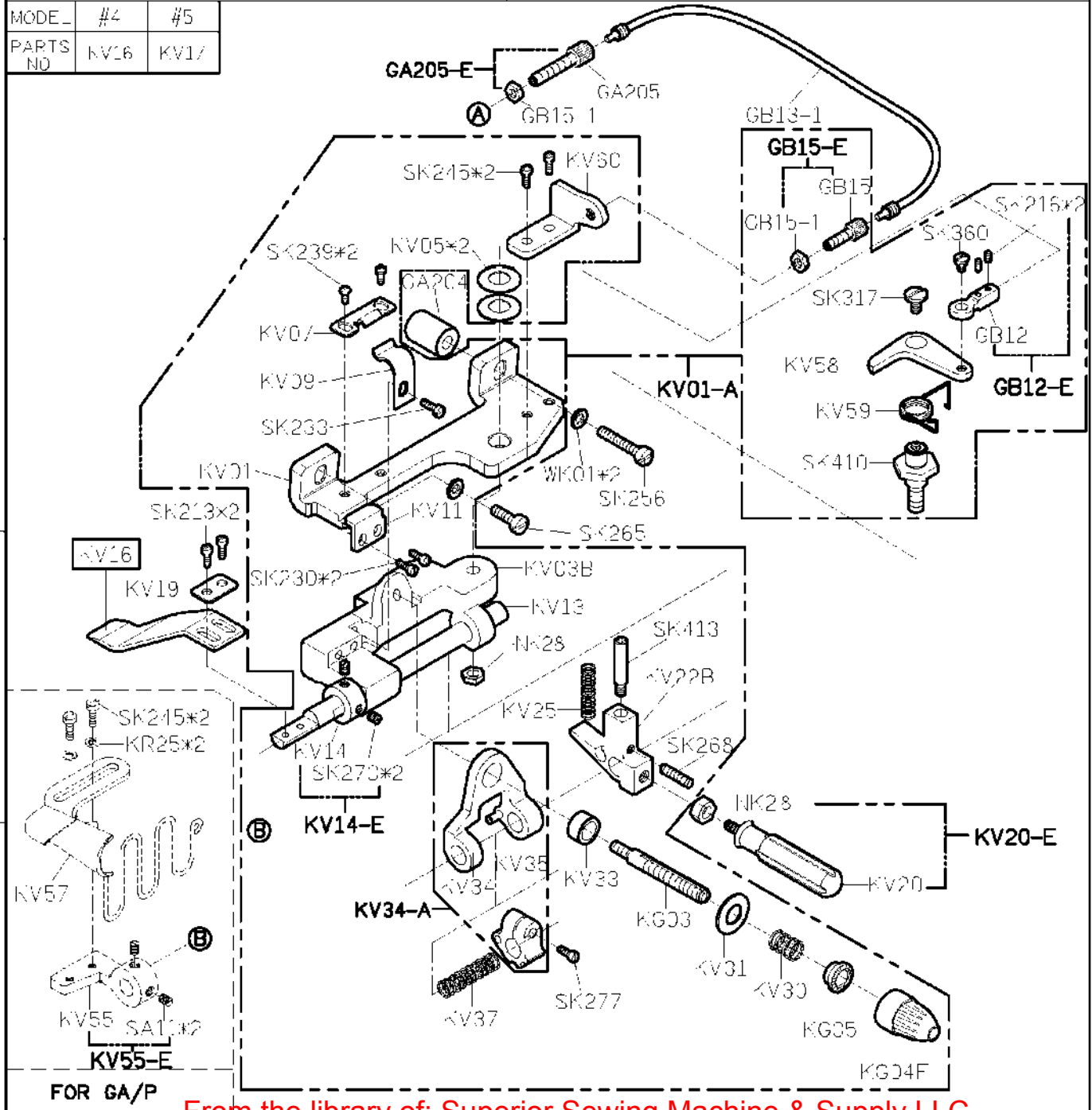
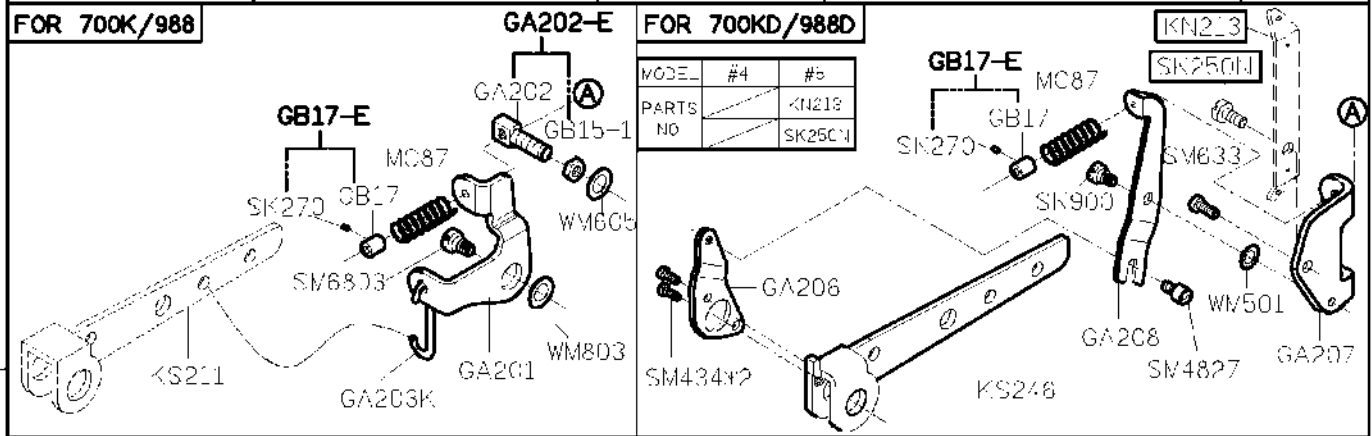




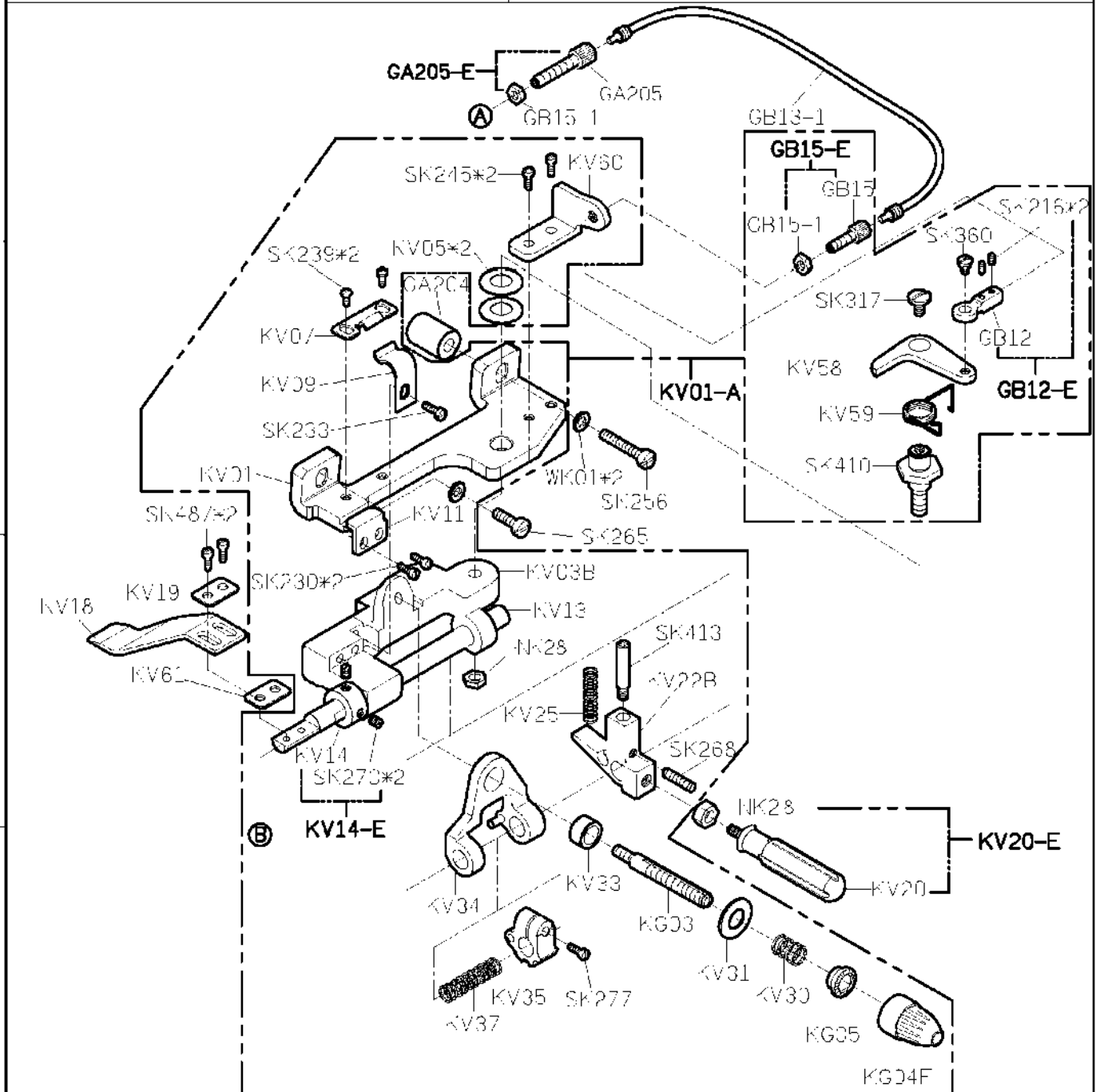
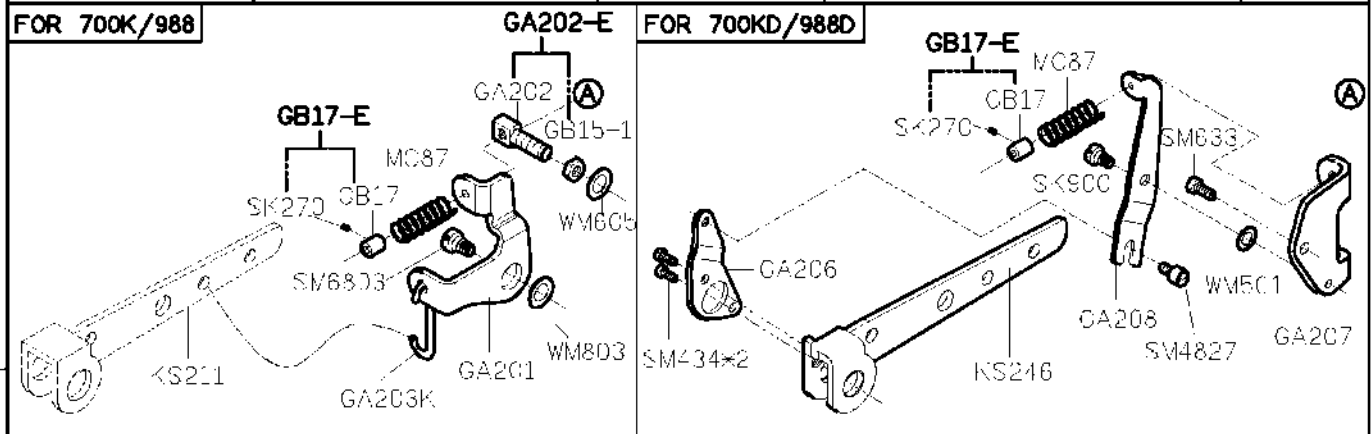
SIRUBA PARTS LIST	Series	Parts Group	Subclass / Remark	Page
	700K/700KD 988/988D	FLP	Use for 700K/988 only	1/1
				Date 2012/12/18



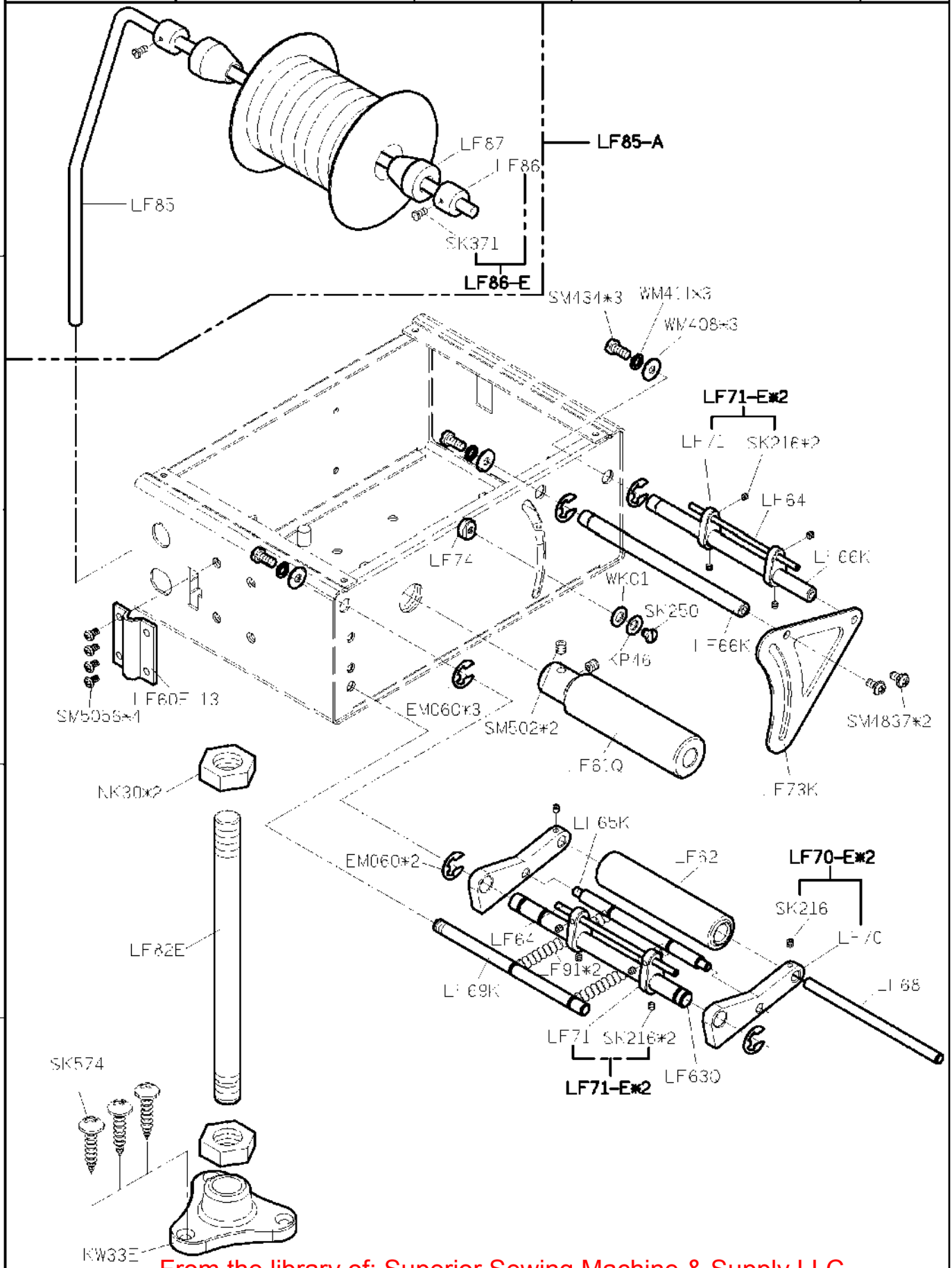
<b>SIRUBA</b> <b>PARTS LIST</b>	<b>Series</b>	<b>Parts Group</b>	<b>Subclass / Remark</b>	<b>Page</b>
	<b>700K/700KD</b>	<b>GA-K</b>		<b>1/1</b>
	<b>988/988D</b>			<b>Date</b>
				<b>2012/12/18</b>



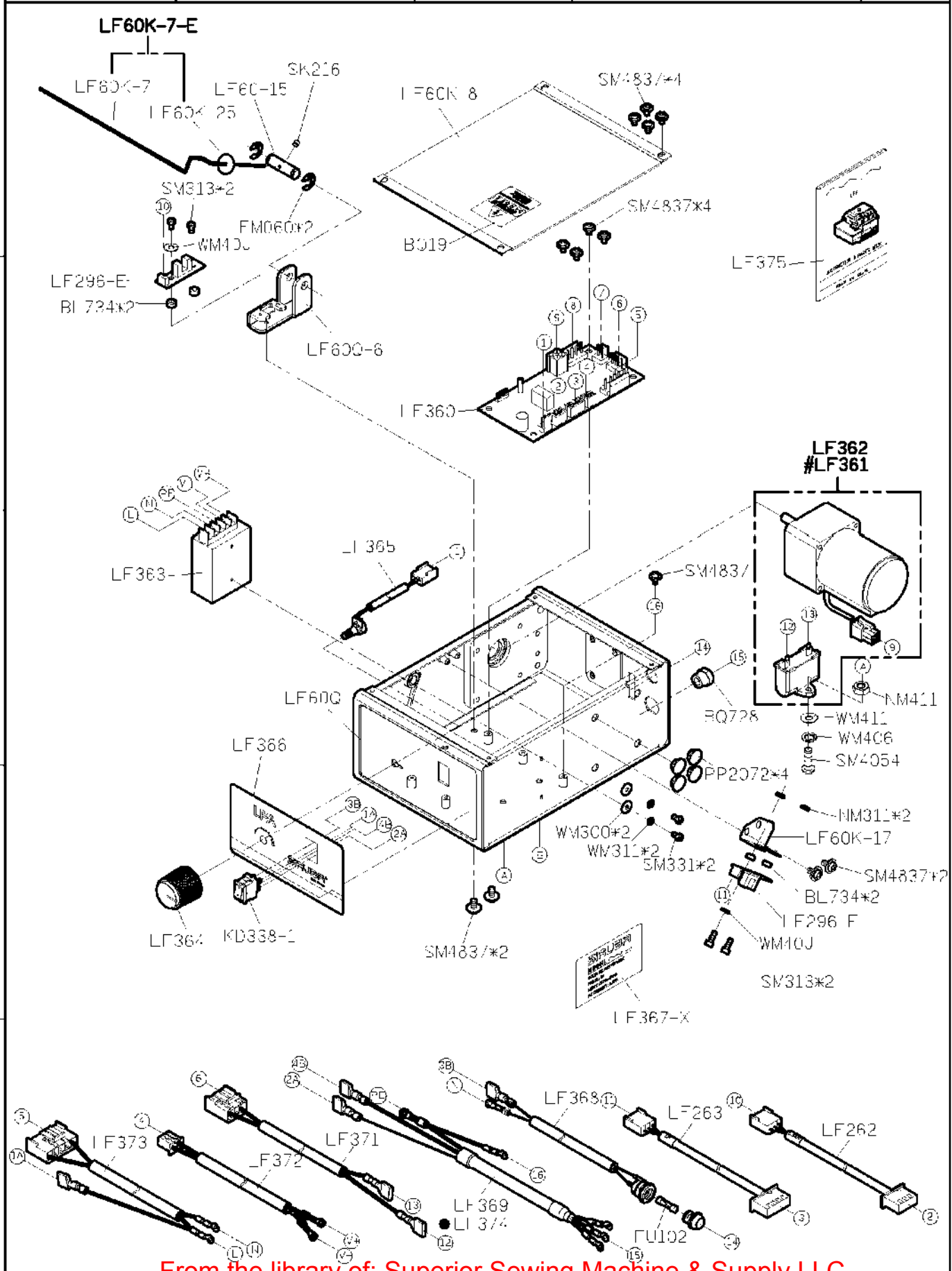
SIRUBA PARTS LIST	Series	Parts Group	Subclass / Remark	Page
	700K/700KD 988/988D	GAL-K		1/1
			Date	
				2012/12/18



SIRUBA PARTS LIST	Series	Parts Group	Subclass / Remark	Page
	700K/700KD	LFA-K		1/3
	988/988D			Date
			2012/12/18	

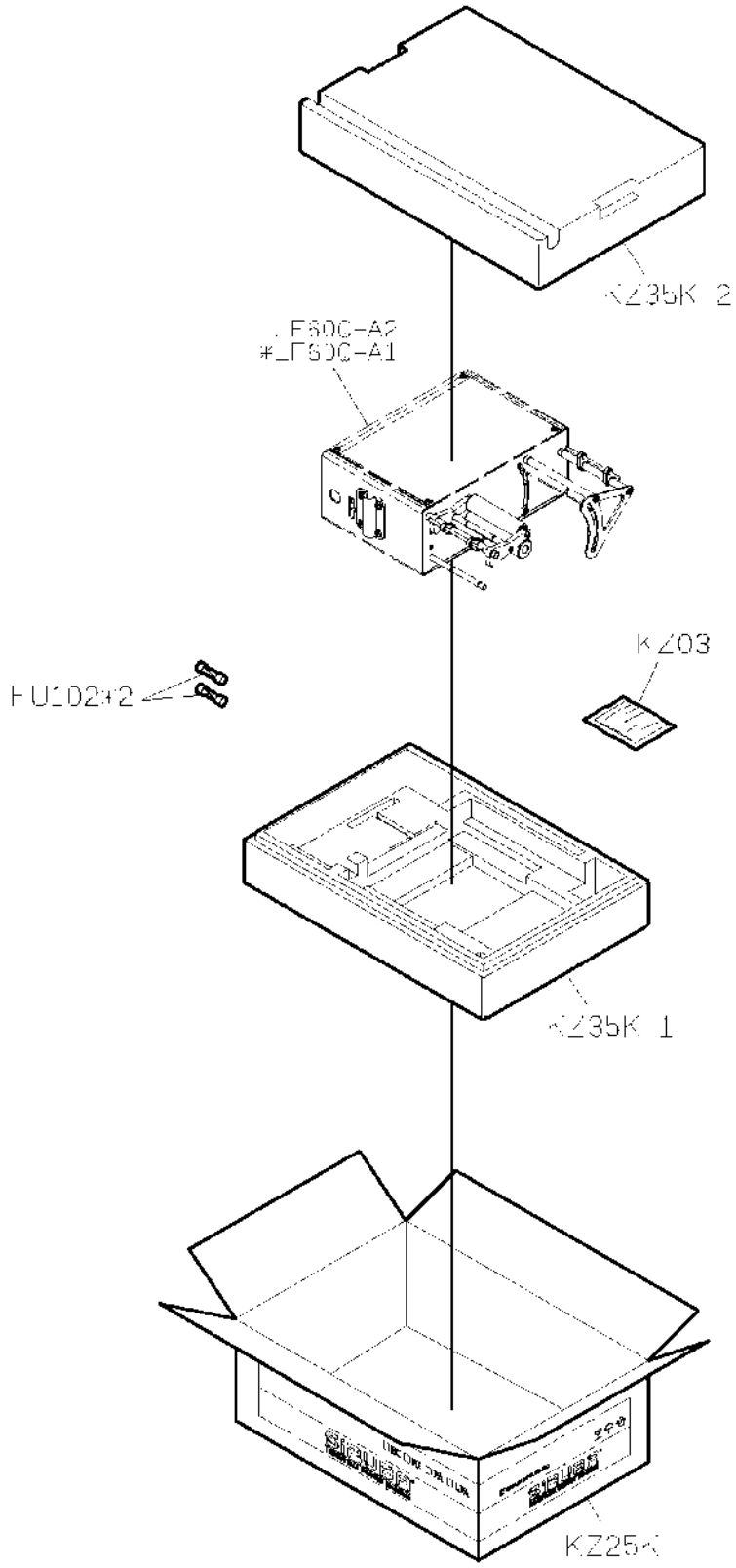


SIRUBA PARTS LIST	Series	Parts Group	Subclass / Remark	Page
	700K/700KD 988/988D	LFA-K	#: Use for 110V ● Use for LF-D6	2/3
				Date 2012/12/18

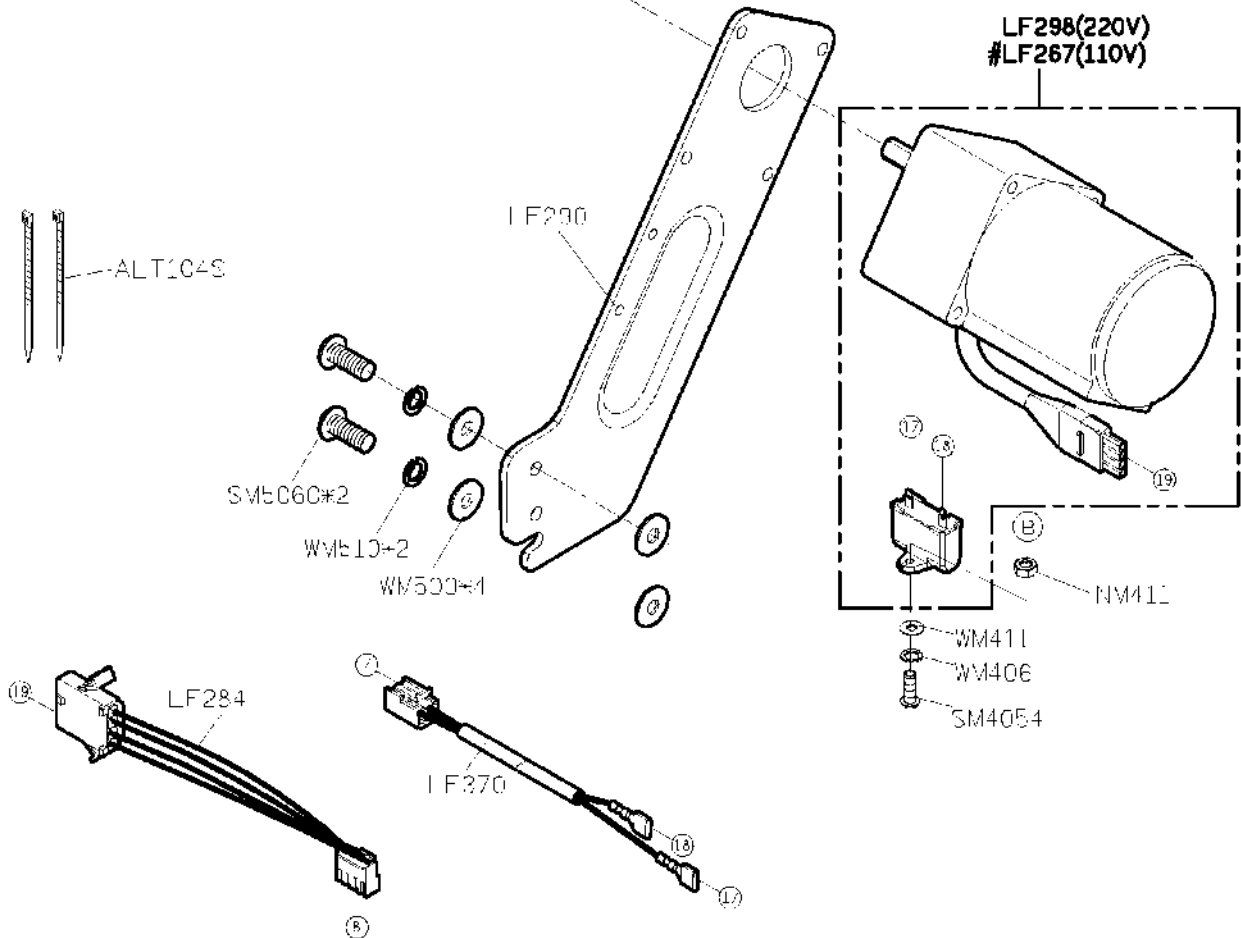
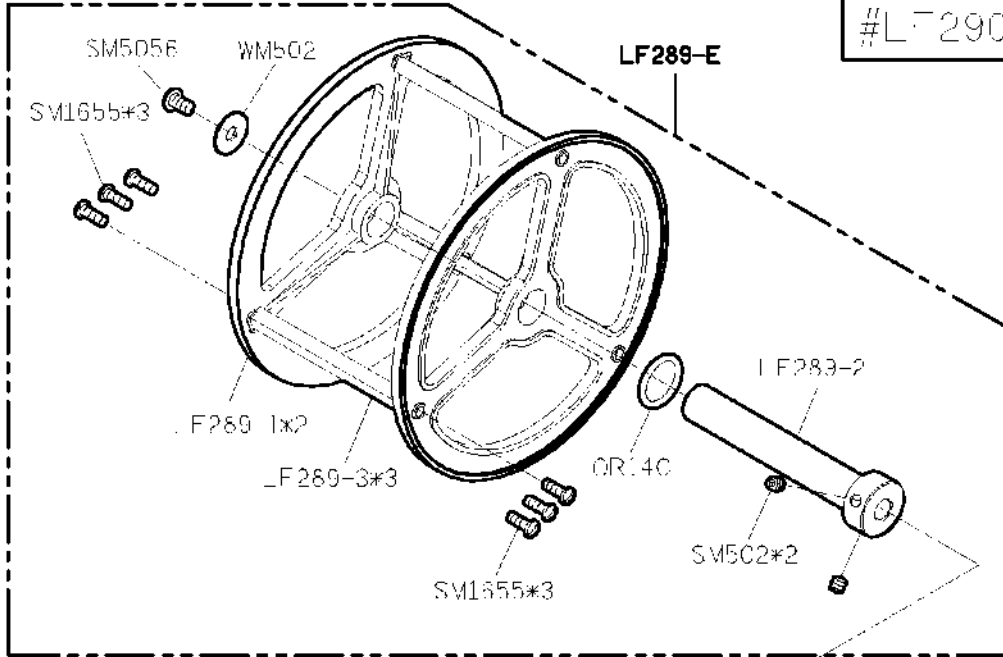


SIRUBA PARTS LIST	Series	Parts Group	Subclass / Remark	Page
	700K/700KD	LFA-K		3/3
	988/988D			Date
	2012/12/18			

A  
B  
C  
D  
E

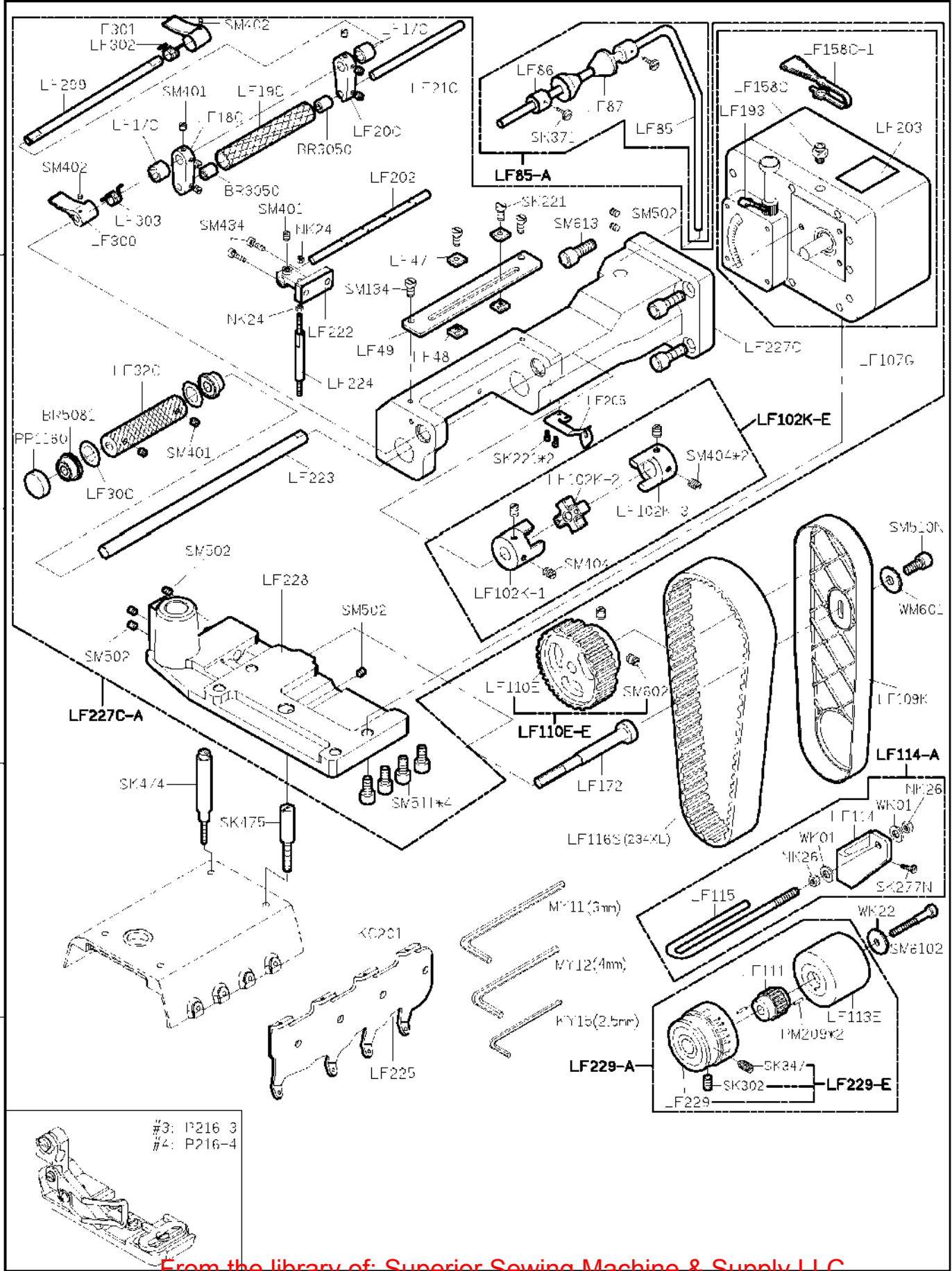


SIRUBA PARTS LIST	Series	Parts Group	Subclass / Remark	Page
	700K/700KD 988/988D		#:Use for 110V	
				Date 2012/12/18





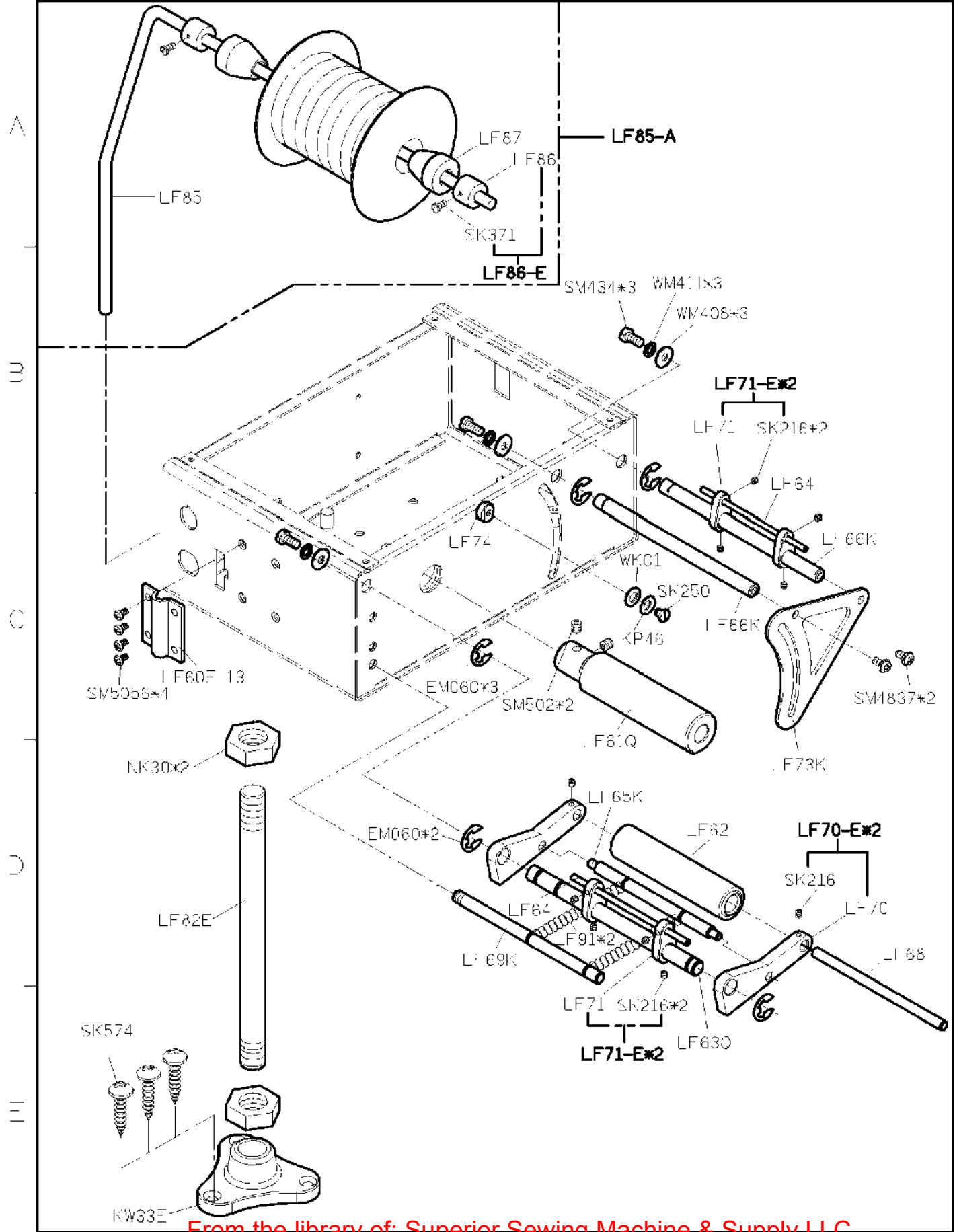
SIRUBA PARTS LIST	Series	Parts Group	Subclass / Remark	Page
	700K/700KD 988/988D	LFC-3		1/1
				Date 2012/12/17



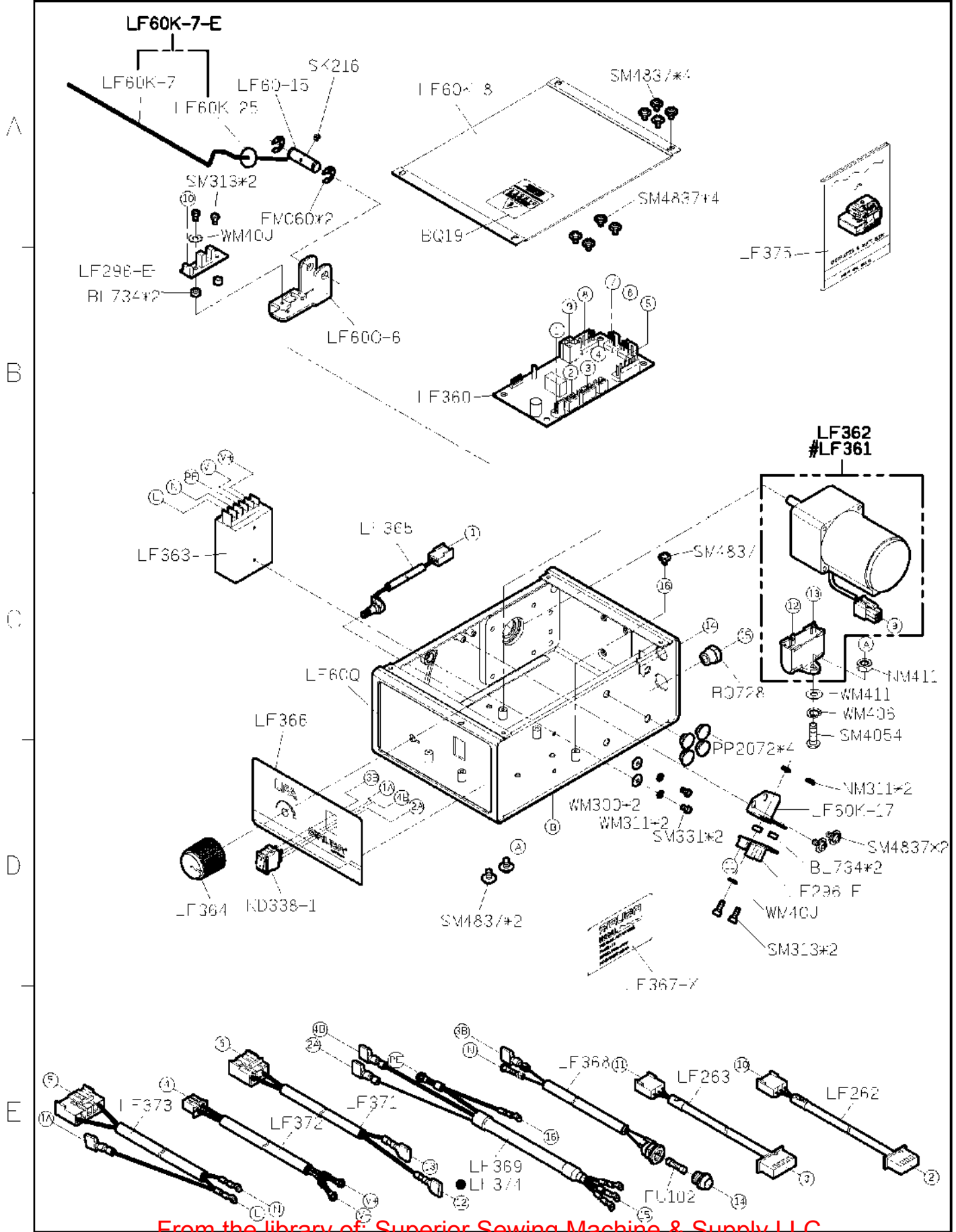
#3: P216-3  
#4: P216-4



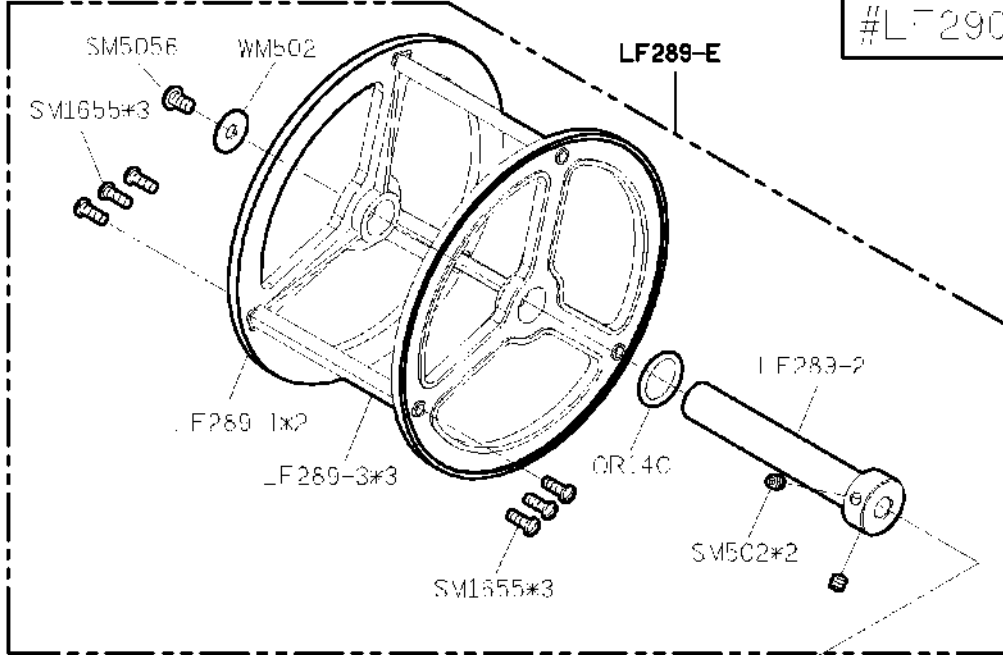
SIRUBA PARTS LIST	Series	Parts Group	Subclass / Remark	Page
	700K/700KD 988/988D	LFR-K	LFRK-R1 Use for Single Phase AC 110V LFRK-R2 Use for Single Phase AC 220V	1/4 Date 2012/12/18



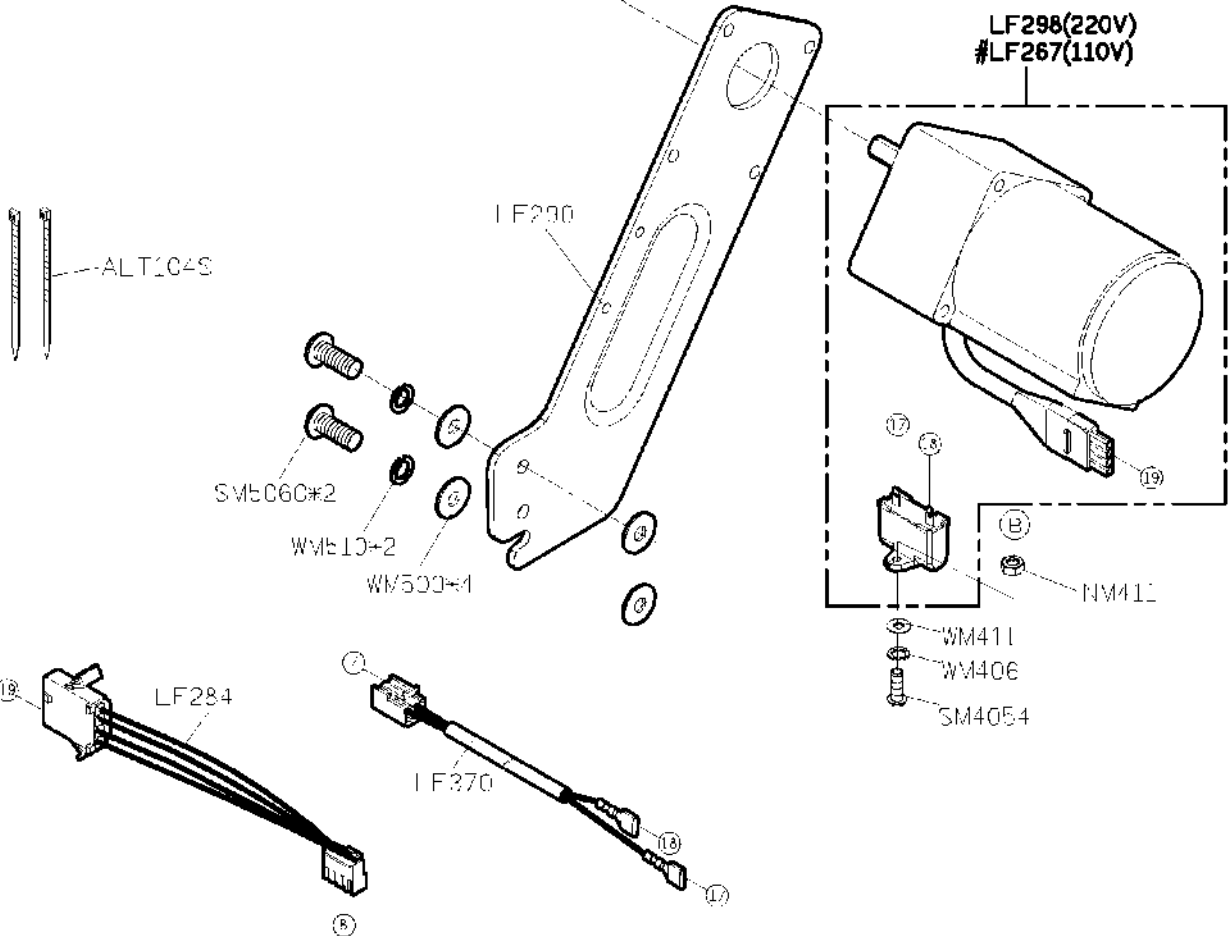
SIRUBA PARTS LIST	Series	Parts Group	Subclass / Remark	Page
	700K/700KD 988/988D	LFR-K	#: Use for 110V ● Use for LF-D6	2/4
				Date 2012/12/18



SIRUBA PARTS LIST	Series	Parts Group	Subclass / Remark	Page
	700K/700KD 988/988D	LFR-K	#:Use for 110V	3/4
				Date 2012/12/18



LF290-A2(220V)  
#LF290-A1(110V)



SIRUBA PARTS LIST	Series	Parts Group	Subclass / Remark	Page
	700K/700KD 988/988D	LFR-K	#:Use for 110V	4/4
				Date 2012/12/18

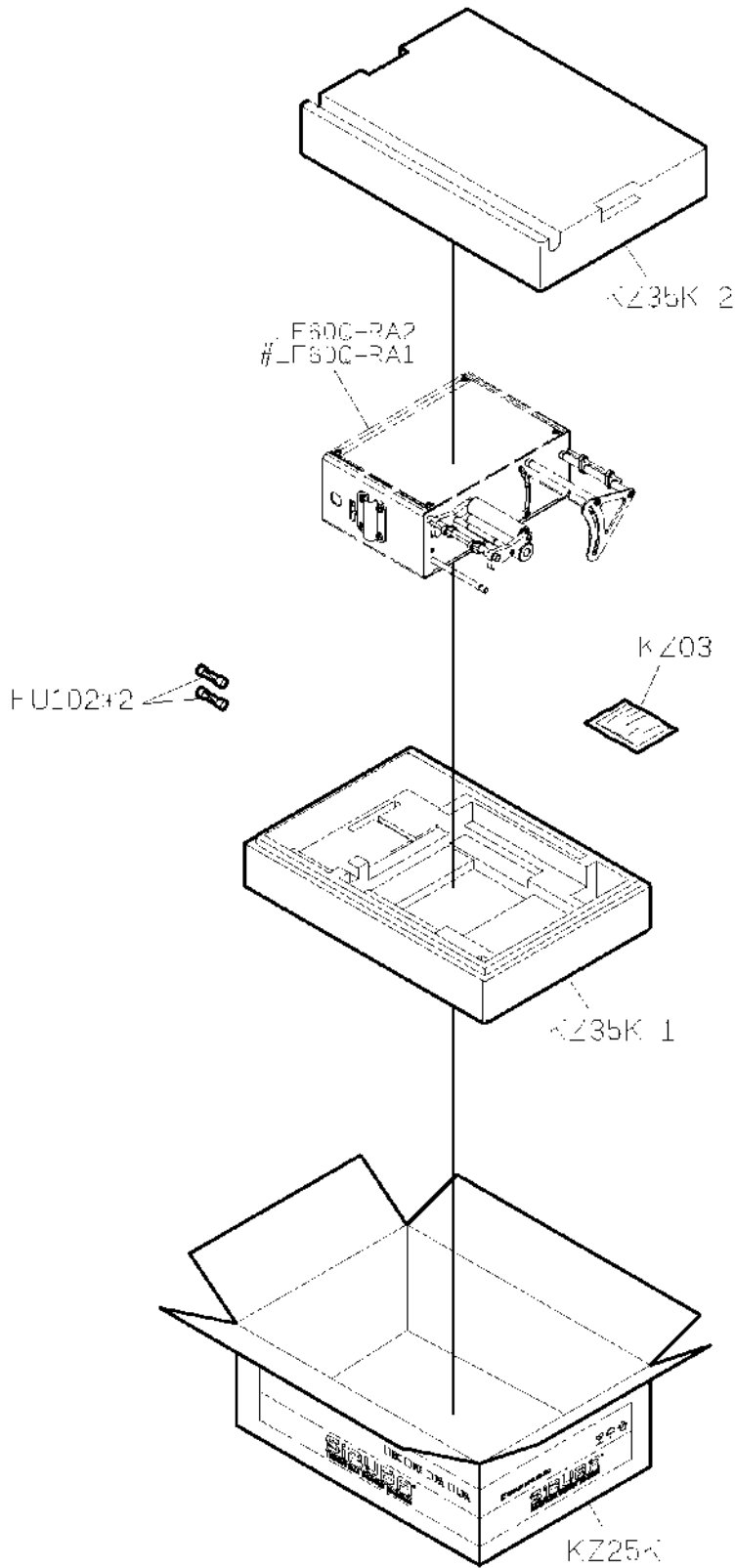
A

B

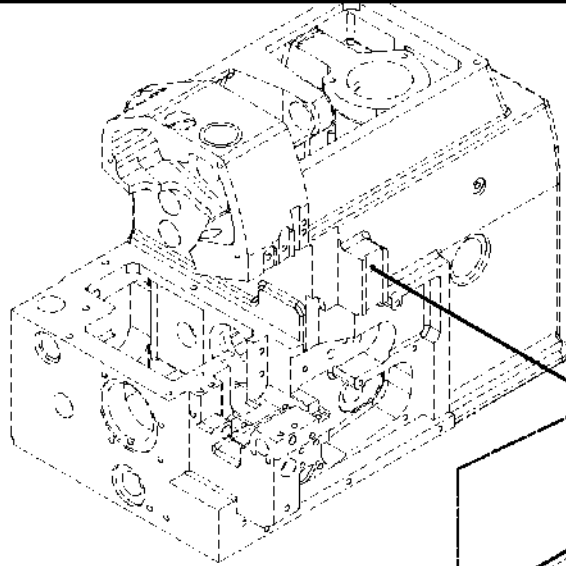
C

D

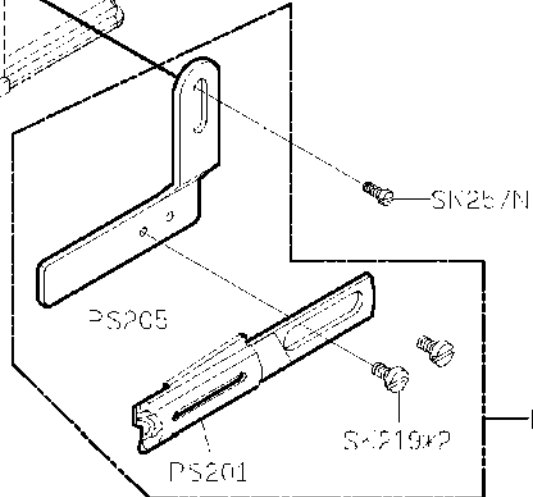
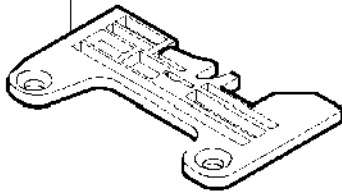
E



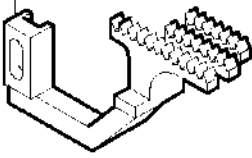
SIRUBA PARTS LIST	Series	Parts Group	Subclass / Remark	Page
	700K/700KD	PS-K		1/1
	988/988D			Date
	2012/12/18			



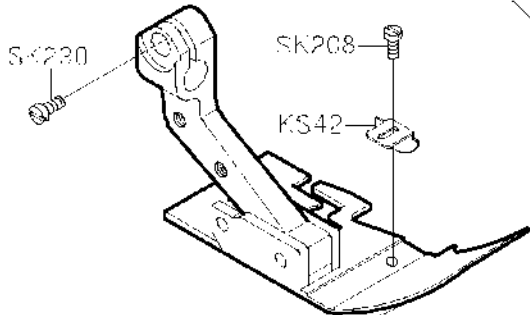
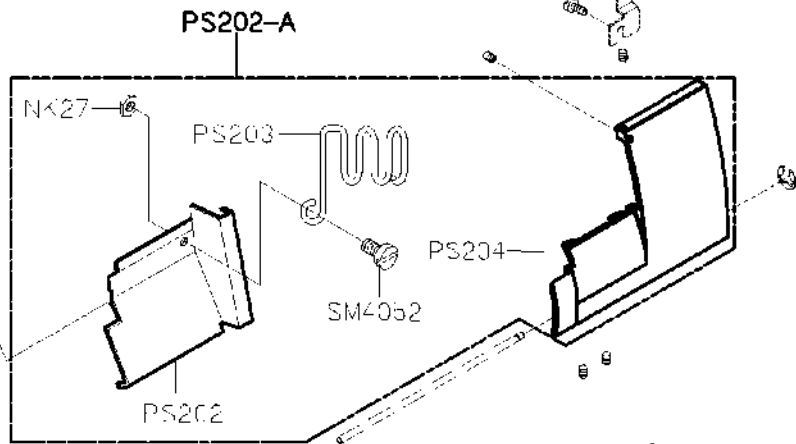
E227 for 3\*5  
E228 for 5\*5



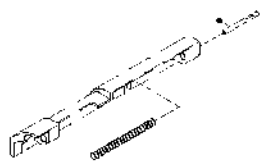
H214 for 3\*5  
H215 for 5\*5



P501JS-A for 3\*5  
P502JS-A for 5\*5

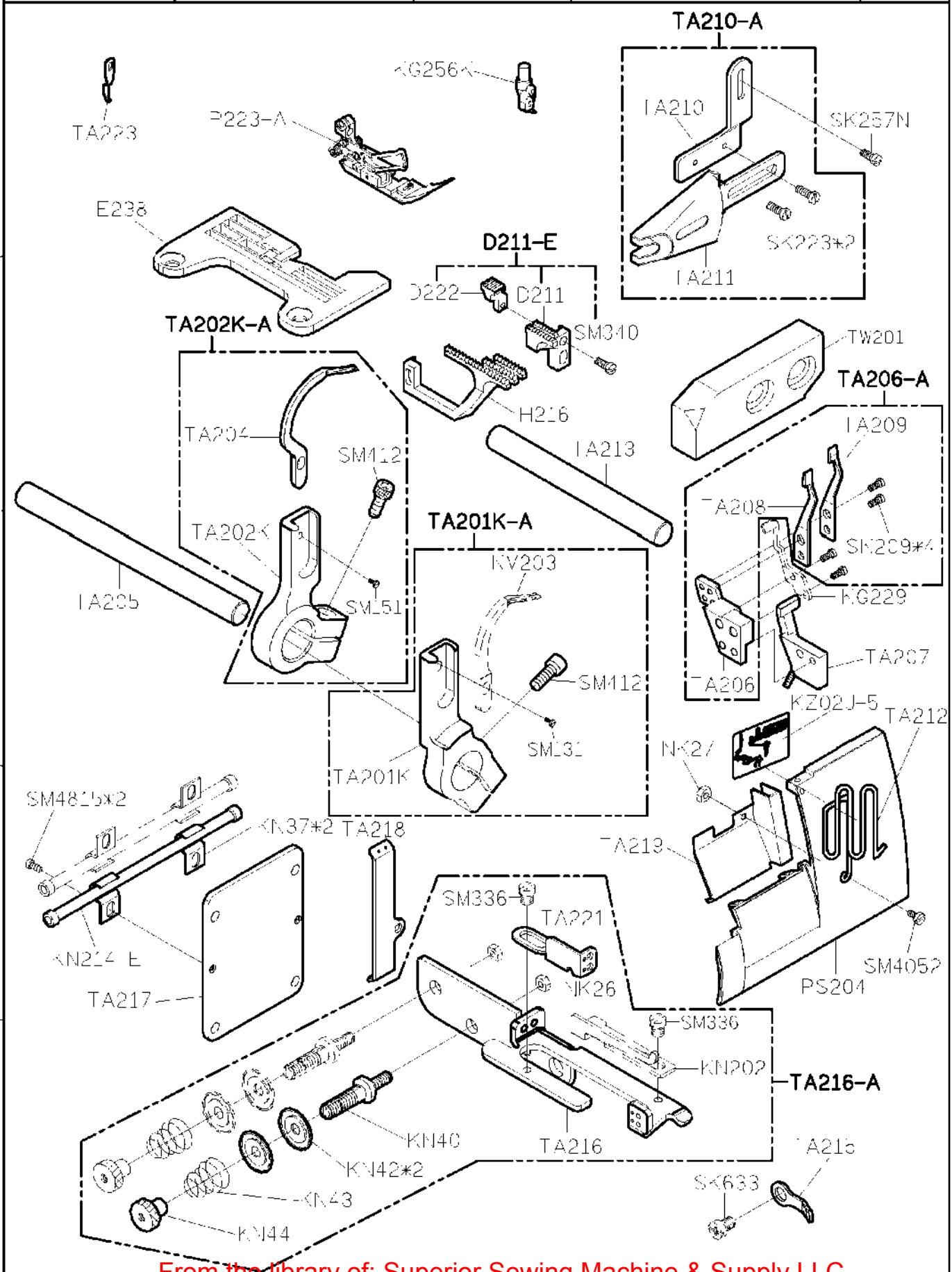


P504S for 3\*5  
P502S for 5\*5



PS204

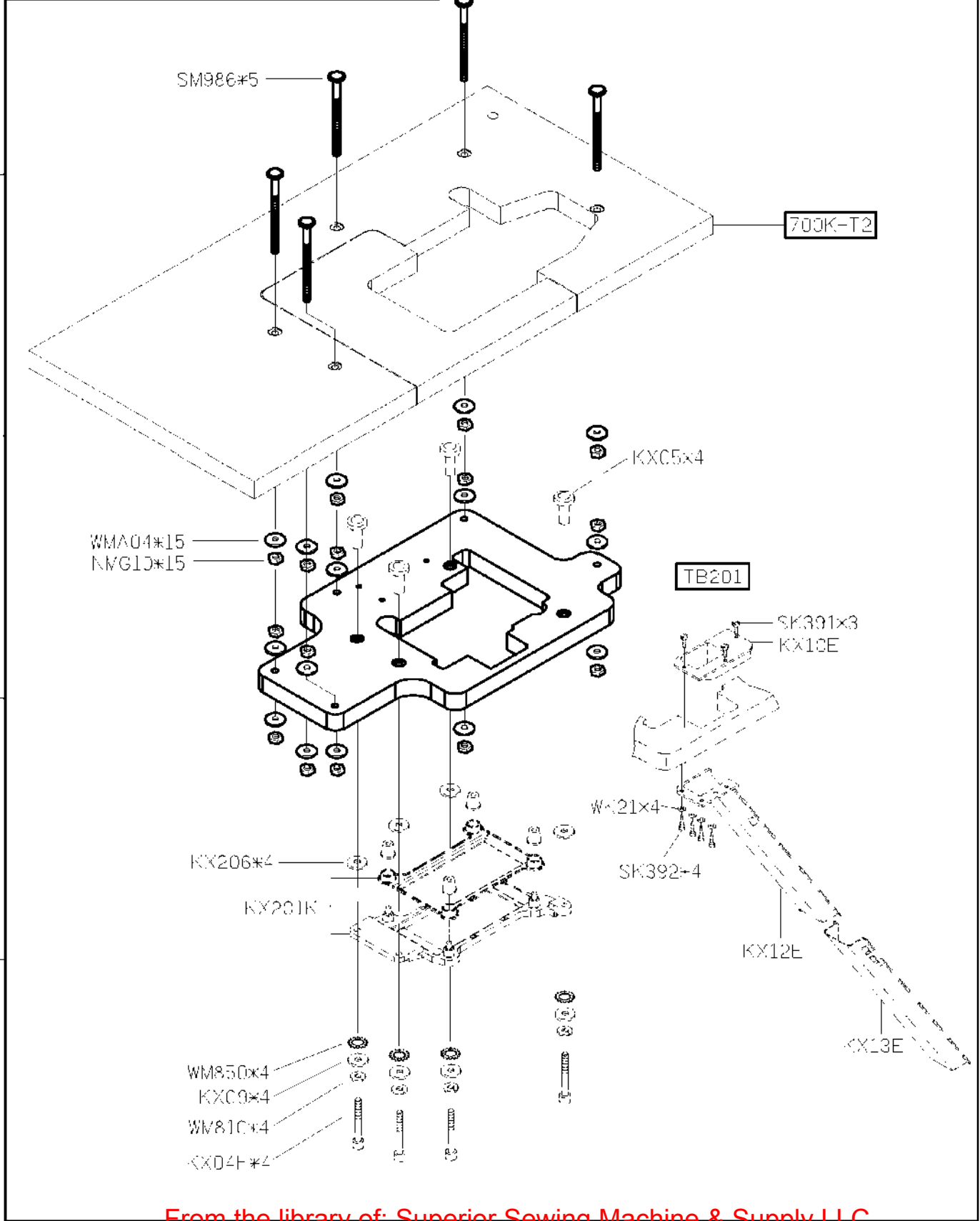
SIRUBA PARTS LIST	Series	Parts Group	Subclass / Remark	Page
	700K/700KD	TA-K		1/1
	988/988D			Date
			2012/12/18	



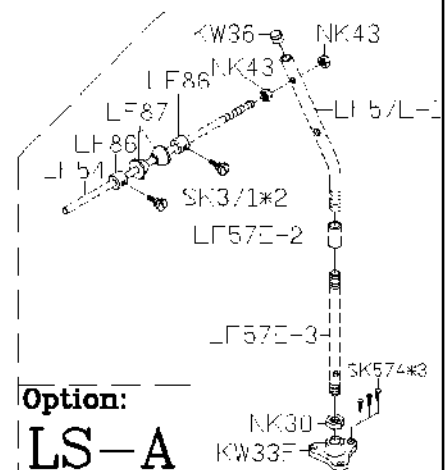
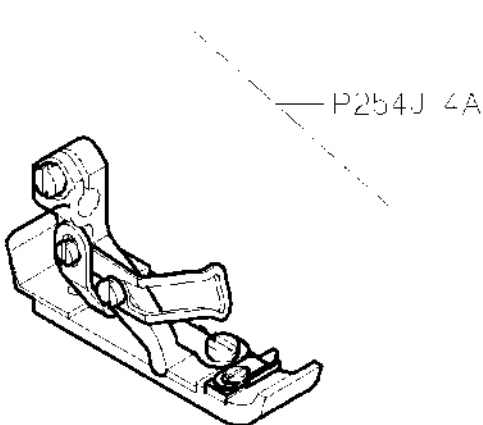
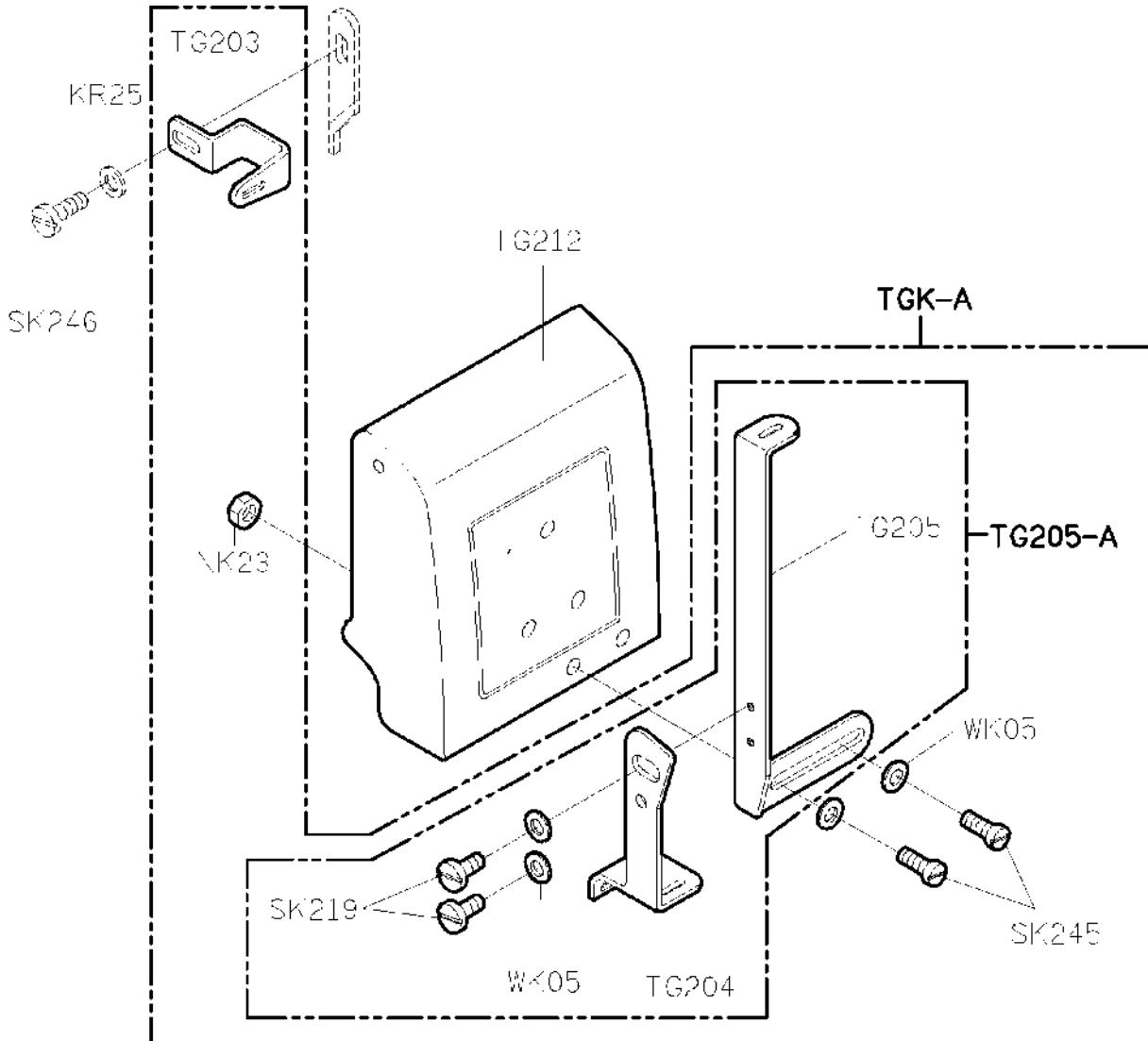
SIRUBA PARTS LIST	Series		Parts Group	Subclass / Remark	Page
	700K/700KD 988/988D		TBK	TBK-1 for 700K/988	1/1
				TBKD-1 for 700KD/988D	Date
					2012/12/18

MODE_	TBK-1(700K/988用)	TBKD-1(700KD/988D用)
TBK	TB201	TB20D
TABLE	700K-T2	700KD-T2

A  
W  
C  
D  
H



SIRUBA PARTS LIST	Series	Parts Group	Subclass / Remark	Page
	700K/700KD 988/988D	TG		1/1
				Date 2012/12/18

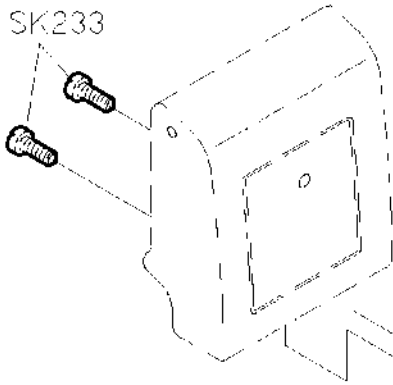




SIRUBA PARTS LIST	Series	Parts Group	Subclass / Remark	Page
	700K/700KD 988/988D	TR		1/1
				Date 2012/12/18

TR201-A

SK233



TR24

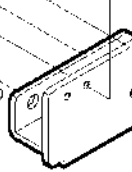
TR25



SK442

SK456

TR201

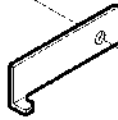


NK63A

NK26

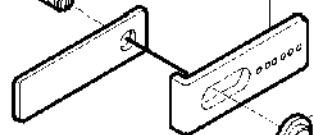
KG03

TR22



TR23

TR21



TR28

OPTION

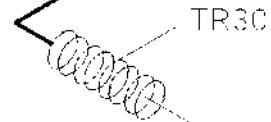
D235



D239



For 不織布 or 塑膠布  
For non woven fabric  
or plastic product



TR30

A116D

KS217



P216-3

KS64



KS220



LF50



KS218



LF51



P101



KW36 NK43

LF86 NK43

LF87

LF86

LF54

SK371\*2

LF57E 2

LF57E 3

SK35/4\*3

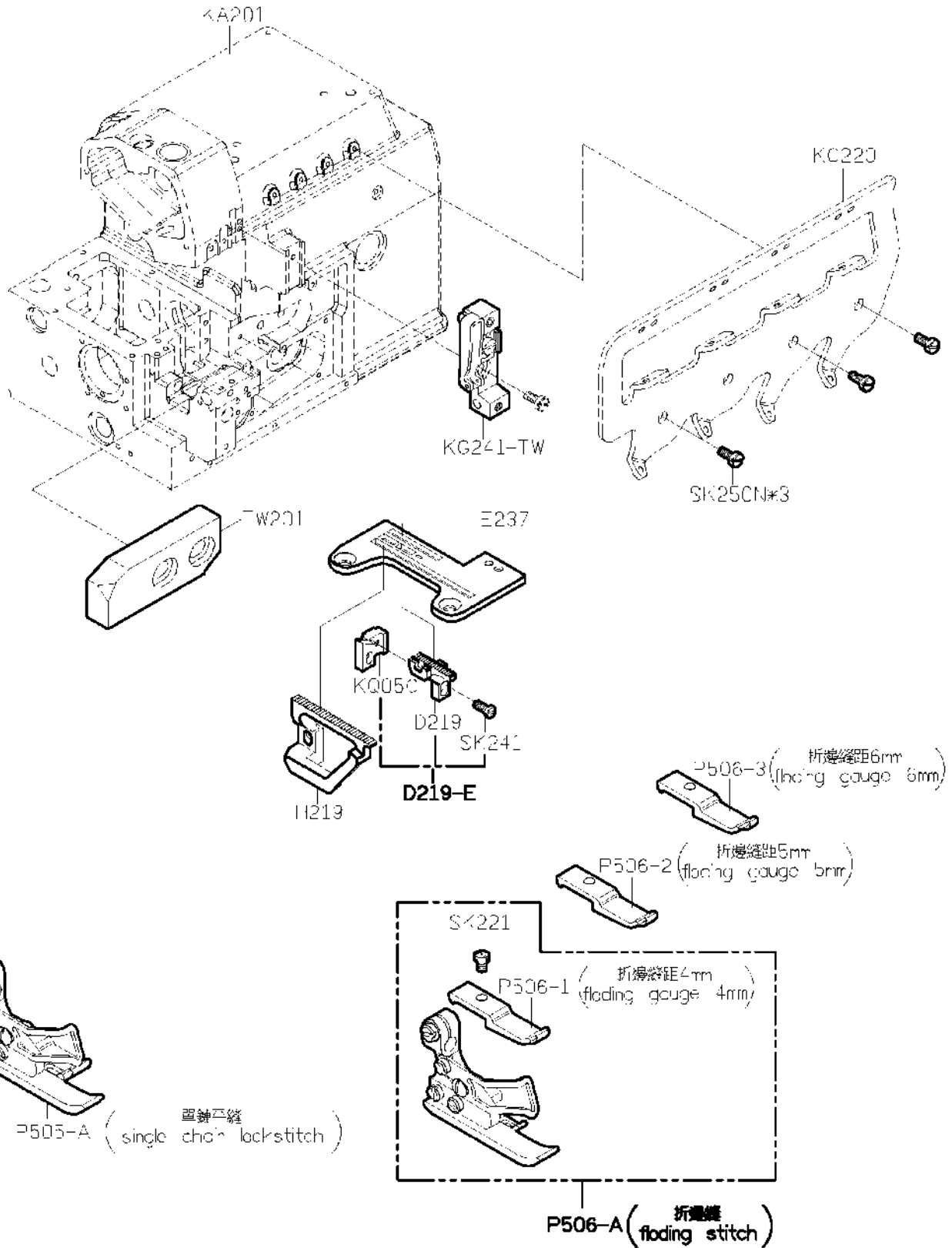
NK30

KW33

Option:

LS-A

SIRUBA PARTS LIST	Series	Parts Group	Subclass / Remark	Page
	700K/700KD	TW		1/1
	988/988D			Date
				2012/12/18



SIRUBA PARTS LIST	Series	Parts Group	Subclass / Remark	Page
	700K/700KD	VT-K		1/1
	988/988D			Date
				2012/12/18

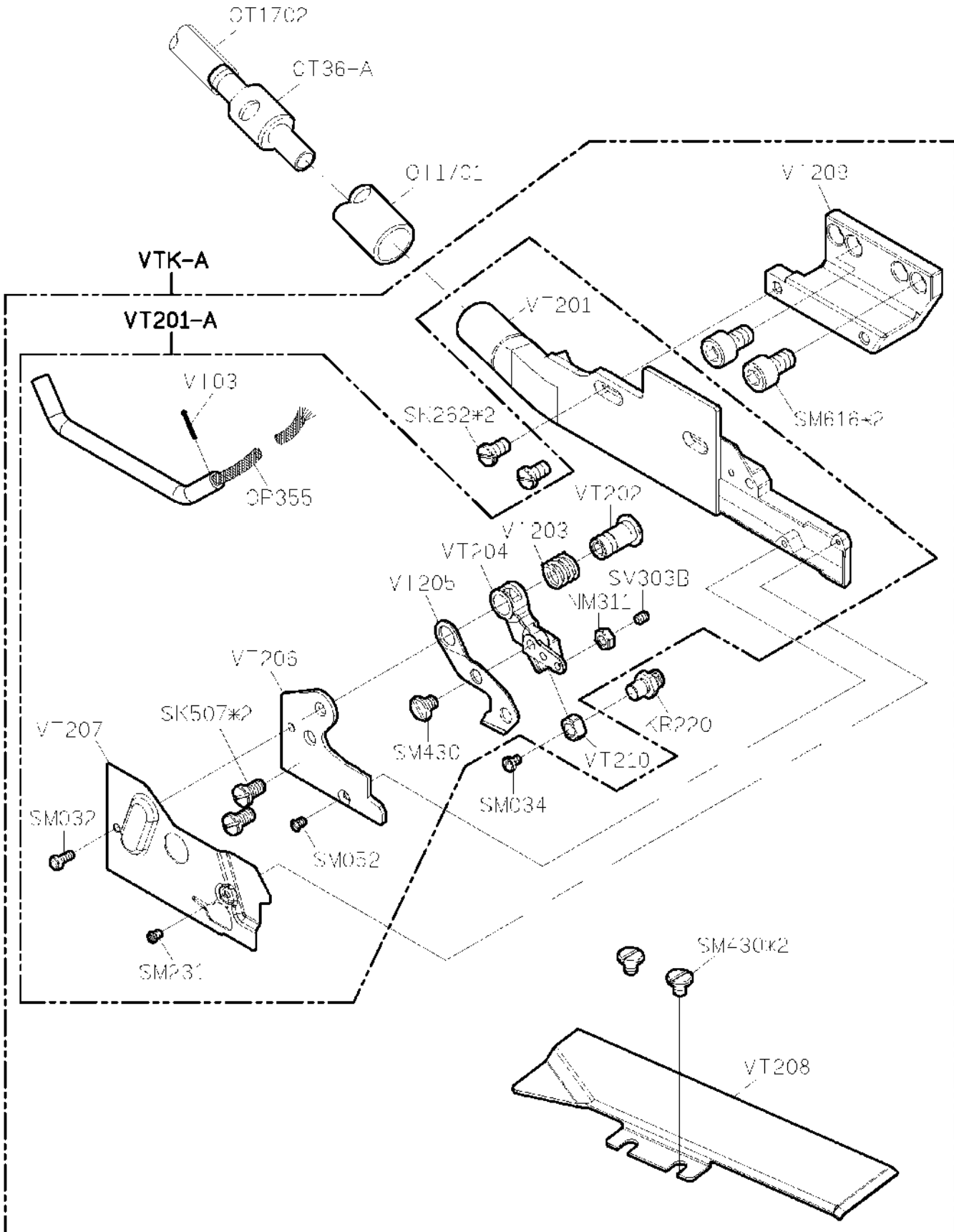
A

B

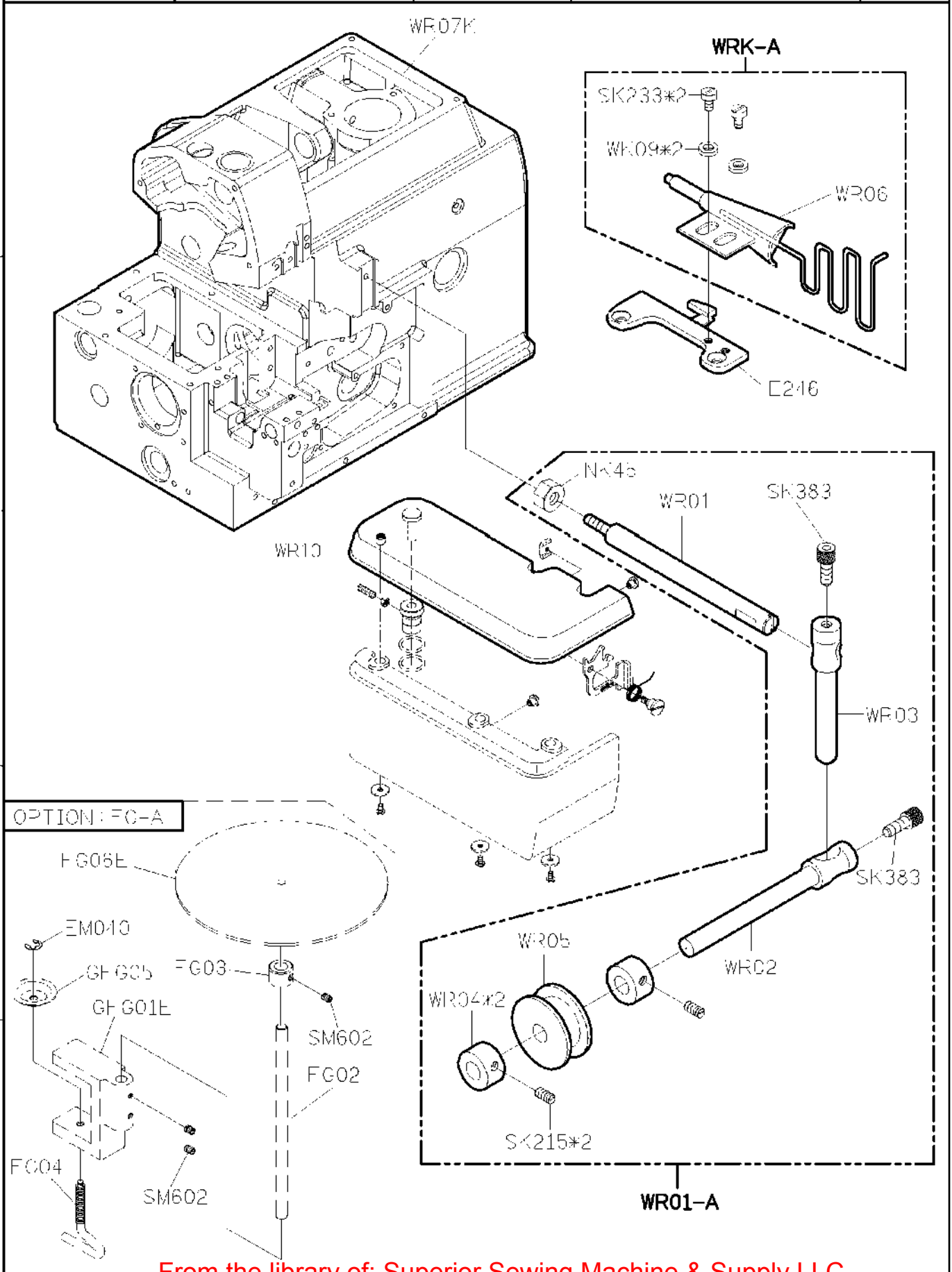
C

D

E



SIRUBA PARTS LIST	Series	Parts Group	Subclass / Remark	Page
	700K/700KD	WR-K		1/1
	988/988D		Date	
	2012/12/18			



<b>SIRUBA</b> <b>TABLE</b> <b>CUT - OUT</b>	<b>Series</b>	<b>Item Code</b>	<b>Subclass Remark</b>	<b>Mounting</b>
	700K/988	TB201		Fully-submerged Fixed Table
				Date
				2012/12/22

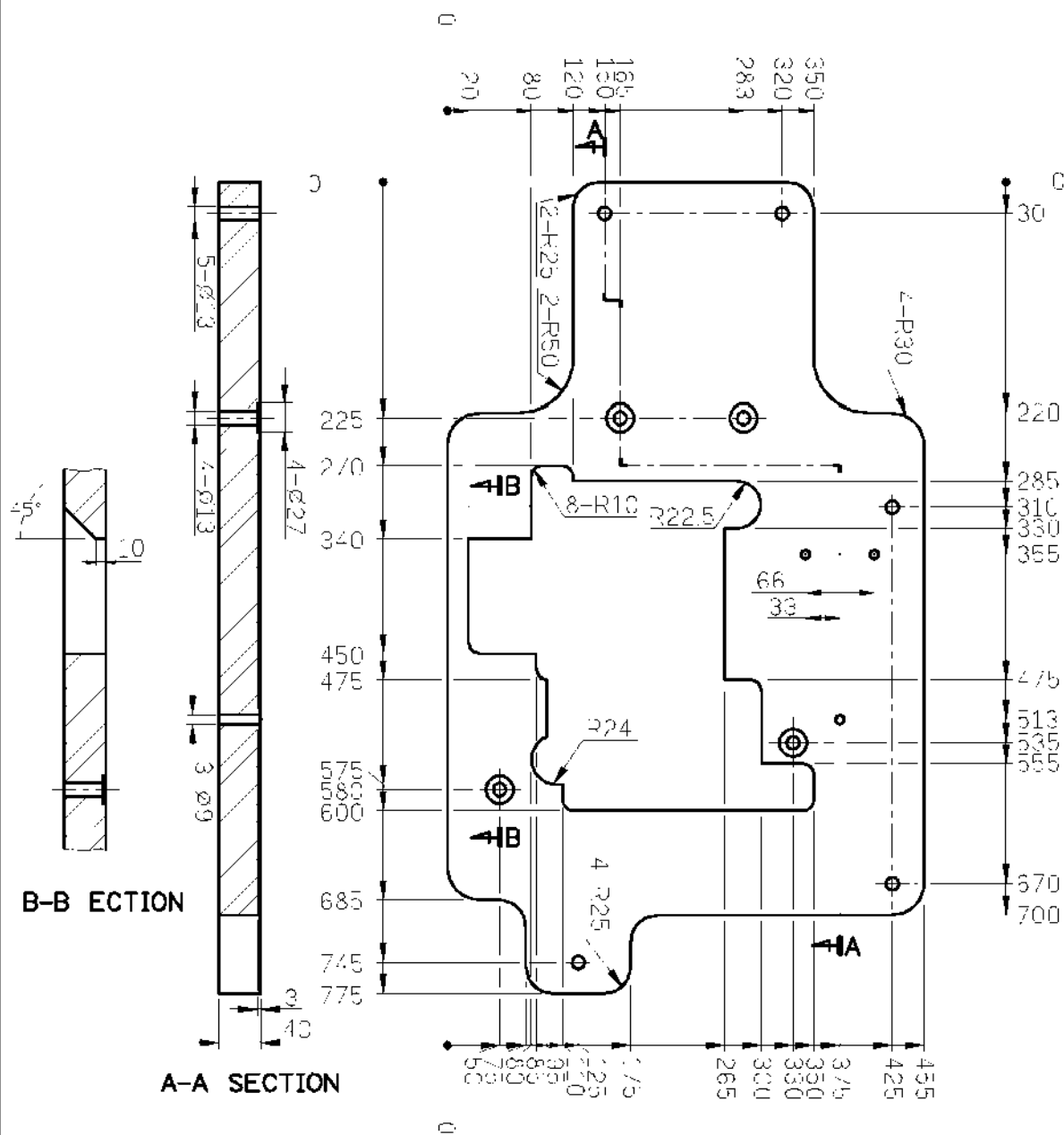
單位/UNIT:mm

FOR 700K/988

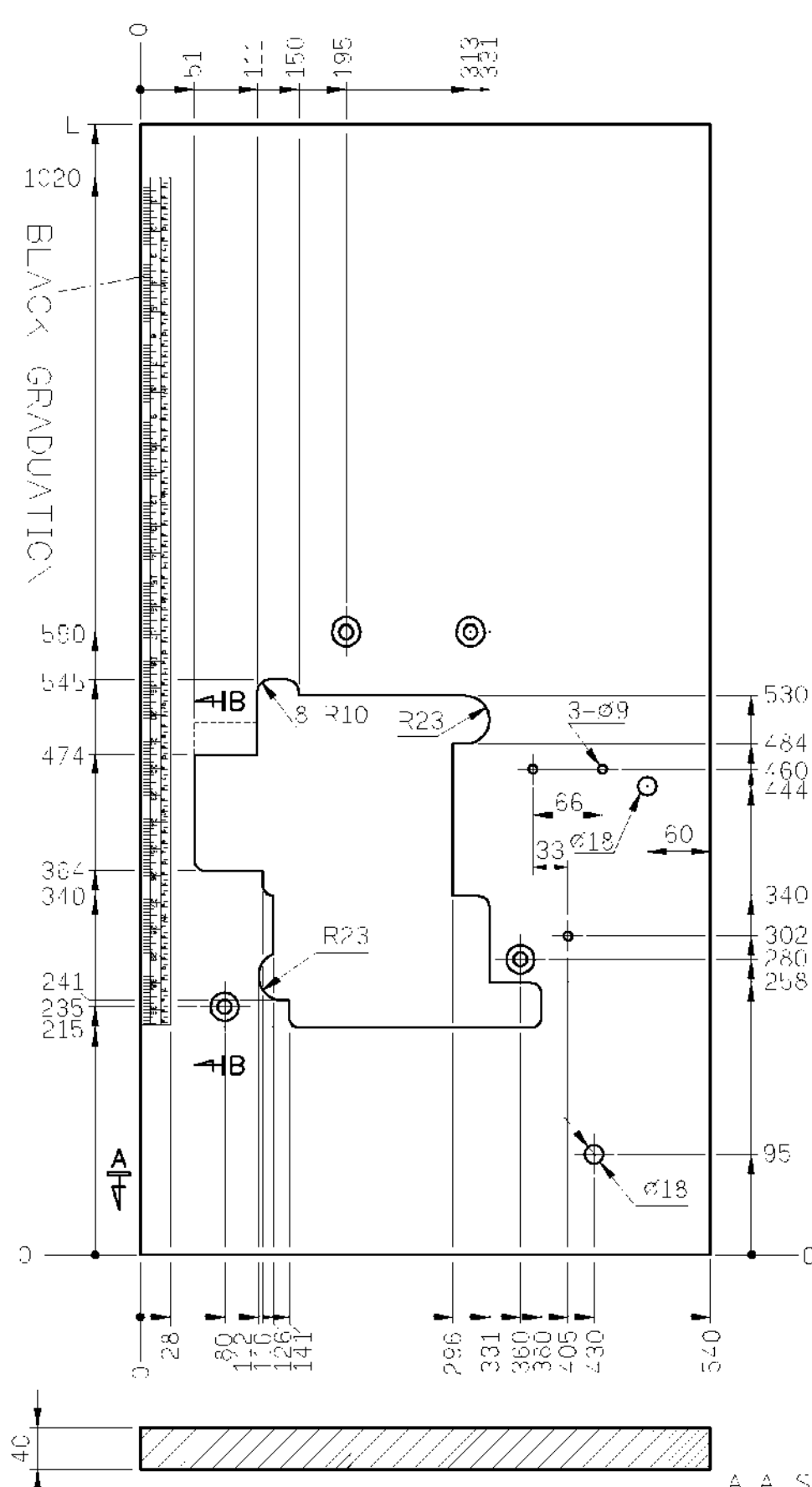
所有尺寸公差/DIFFERENCE:±2

重量(W):4.25kg±5%

全封邊灰格紋光塑面音板/Plastic Table With All Sides Sealed With Grey Pad



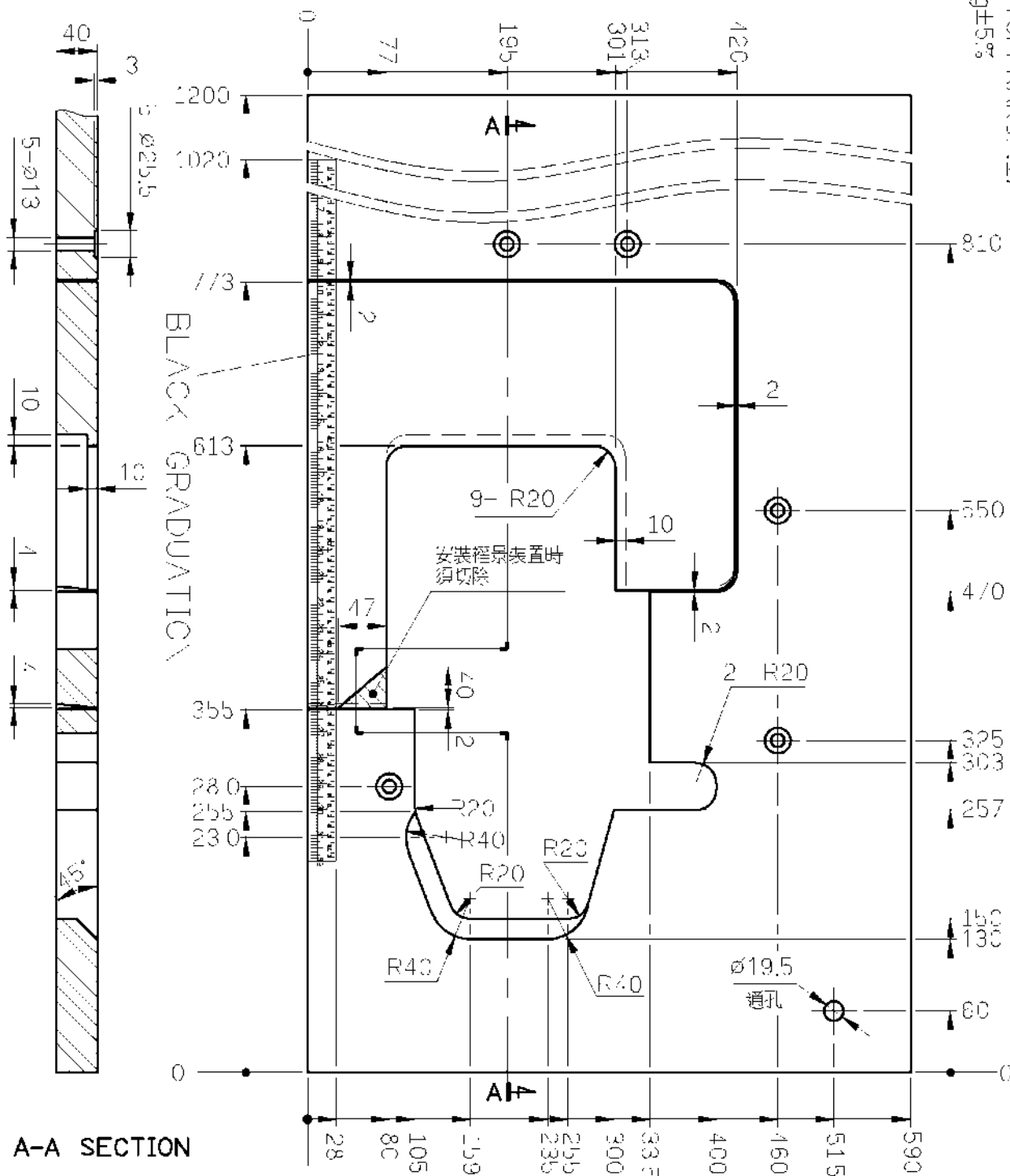
<b>SIRUBA</b> TABLE CUT - OUT	<b>Series</b>	<b>Item Code</b>	<b>Subclass Remark</b>	<b>Mounting</b>
	<b>700K/988</b>	<b>700K-T</b>		<b>Non-submerged</b>
				<b>Date</b>
				<b>2012/11/16</b>



单位/UNIT:mm  
 所有尺寸公差/TOL FRAC:1/2  
 长度(L):107C/重量(W):10.5kg±5%  
 长度(L):120C/重量(W):11.5kg±5%

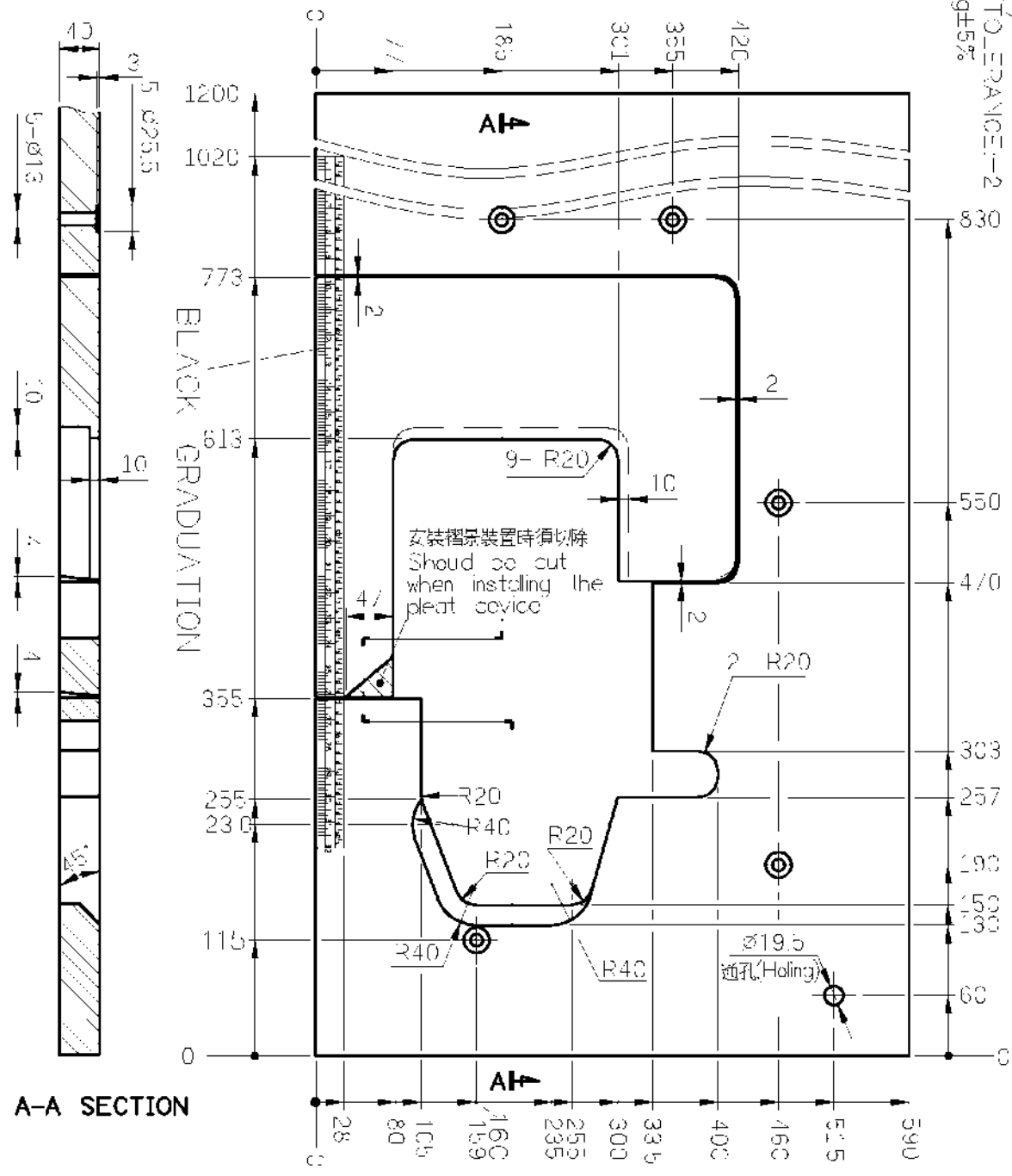
<b>SIRUBA</b> <b>TABLE</b> <b>CUT - OUT</b>	<b>Series</b>	<b>Item Code</b>	<b>Subclass Remark</b>	<b>Mounting</b>
	700K/988	700K-T1	需配TBK (包含TB202 / TB203 / TB204) (需搭 KX201 舊底盤)	Fully-submerged
				Date
				2012/11/16

單位/UNIT:mm  
所有尺寸公差/TOL FRAC:1/2  
重量(W):12.4kg±5%



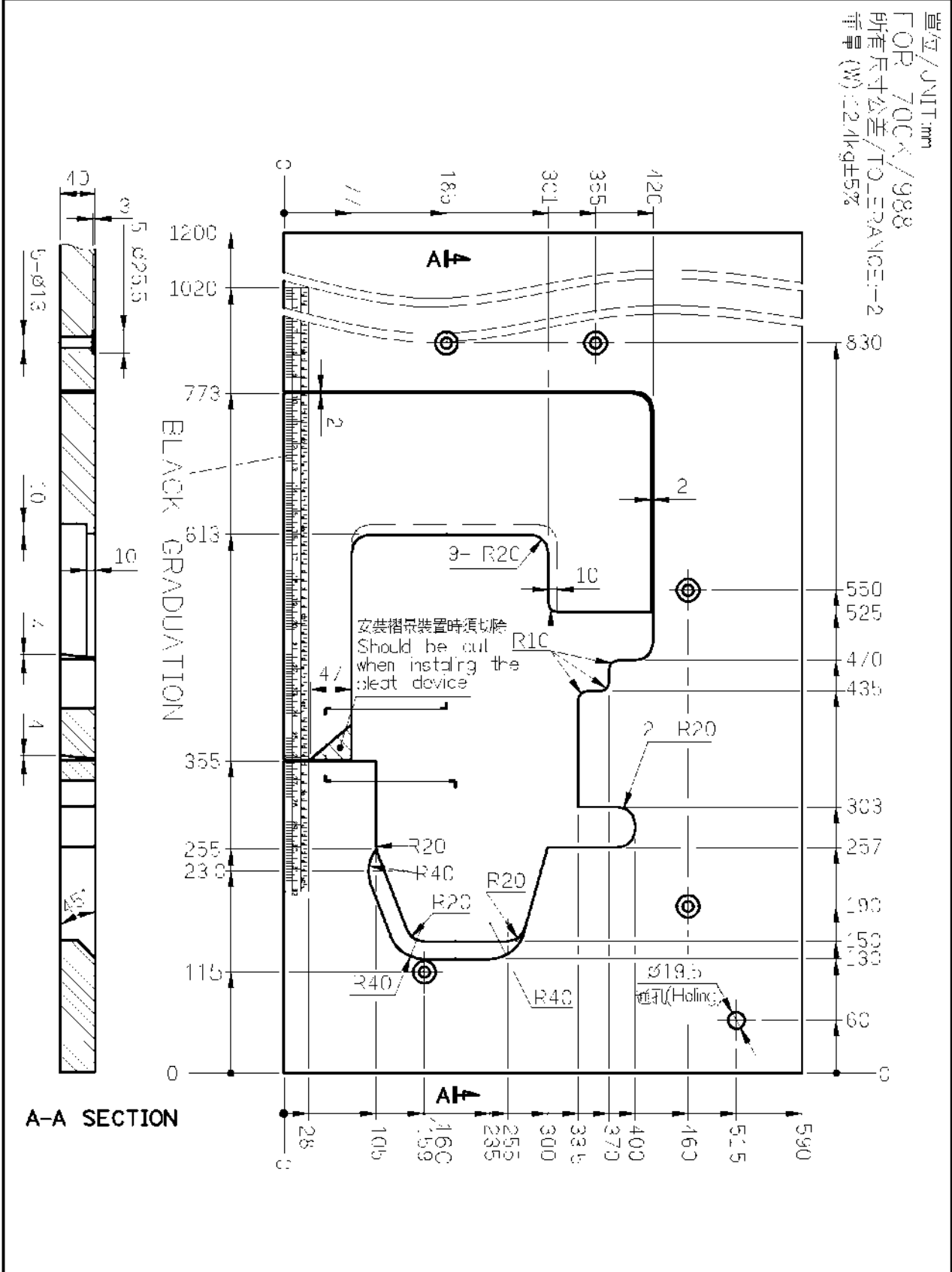
<b>SIRUBA</b> <b>TABLE</b> <b>CUT - OUT</b>	<b>Series</b>	<b>Item Code</b>	<b>Subclass Remark</b>	<b>Mounting</b>
	700K/988	700K-T2	需配TBK-1 (包含TB201) Collocate With TBK-1 (Including TB201)	<b>Fully-submerged</b>
				<b>Date</b> 2012/12/22

單位/UNIT:mm  
 TOP: 700K/988  
 所有尺寸公差/TOLERANCE: ±2  
 片厚(W): 1.2mm±5%

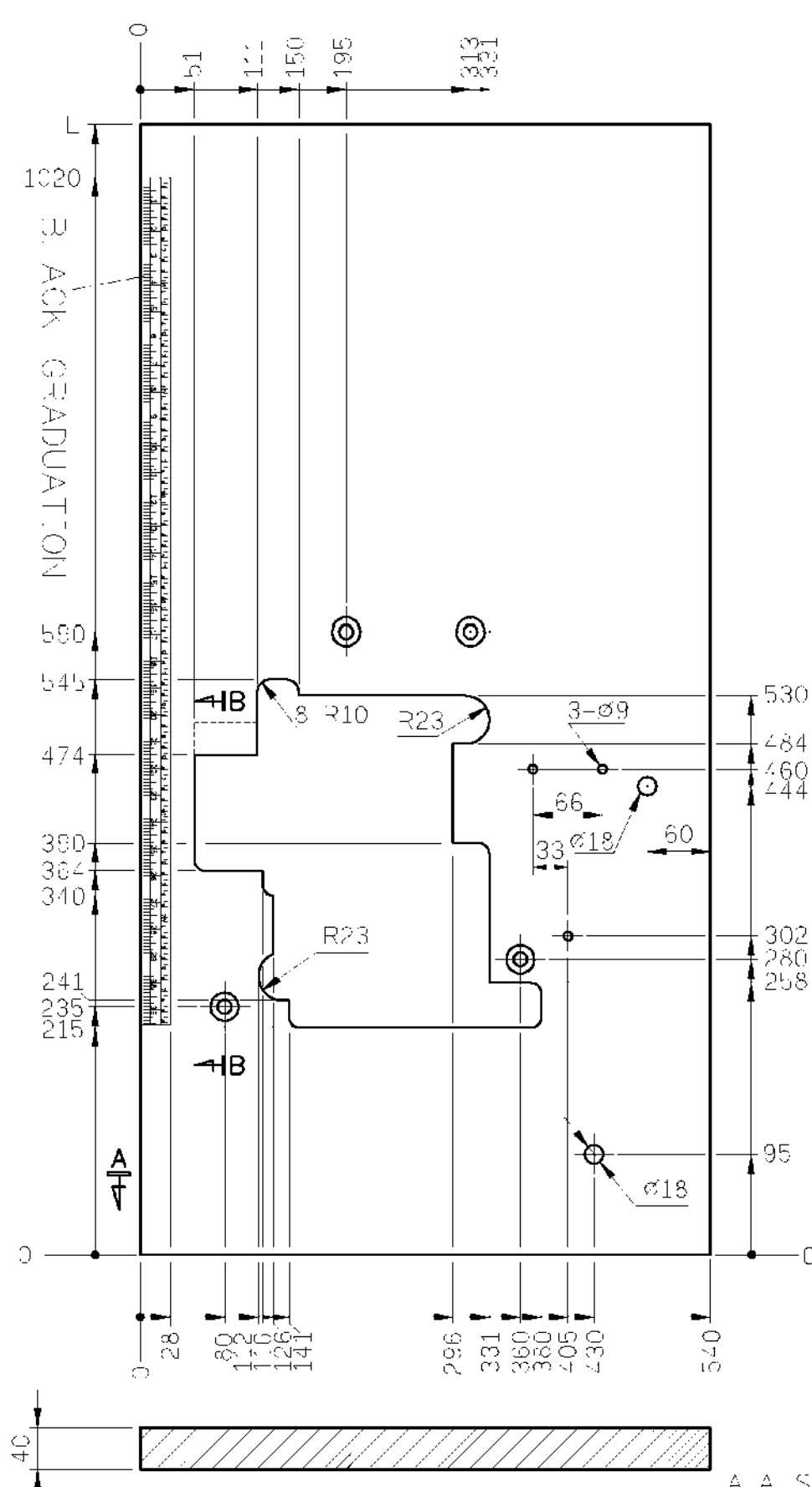




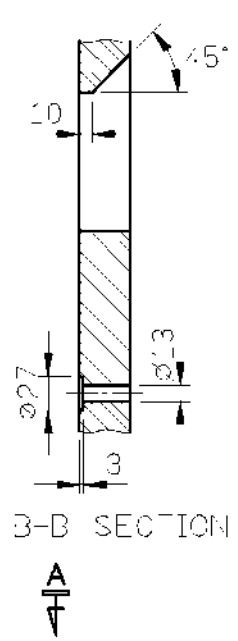
SIRUBA TABLE CUT - OUT	Series	Item Code	Subclass Remark	Mounting
	700K/988	700K-T3	For:EC、CT、VT 需配TBK-1 (包含TB201) Collocate With TBK-1 (Including TB201)	Fully-submerged
				Date 2012/12/22



<b>SIRUBA</b> <b>TABLE</b> <b>CUT - OUT</b>	<b>Series</b>	<b>Item Code</b>	<b>Subclass Remark</b>	<b>Mounting</b>
	700KD/988D	700KD-T		<b>Semi-submerged</b>
				<b>Date</b>
				<b>2012/11/16</b>



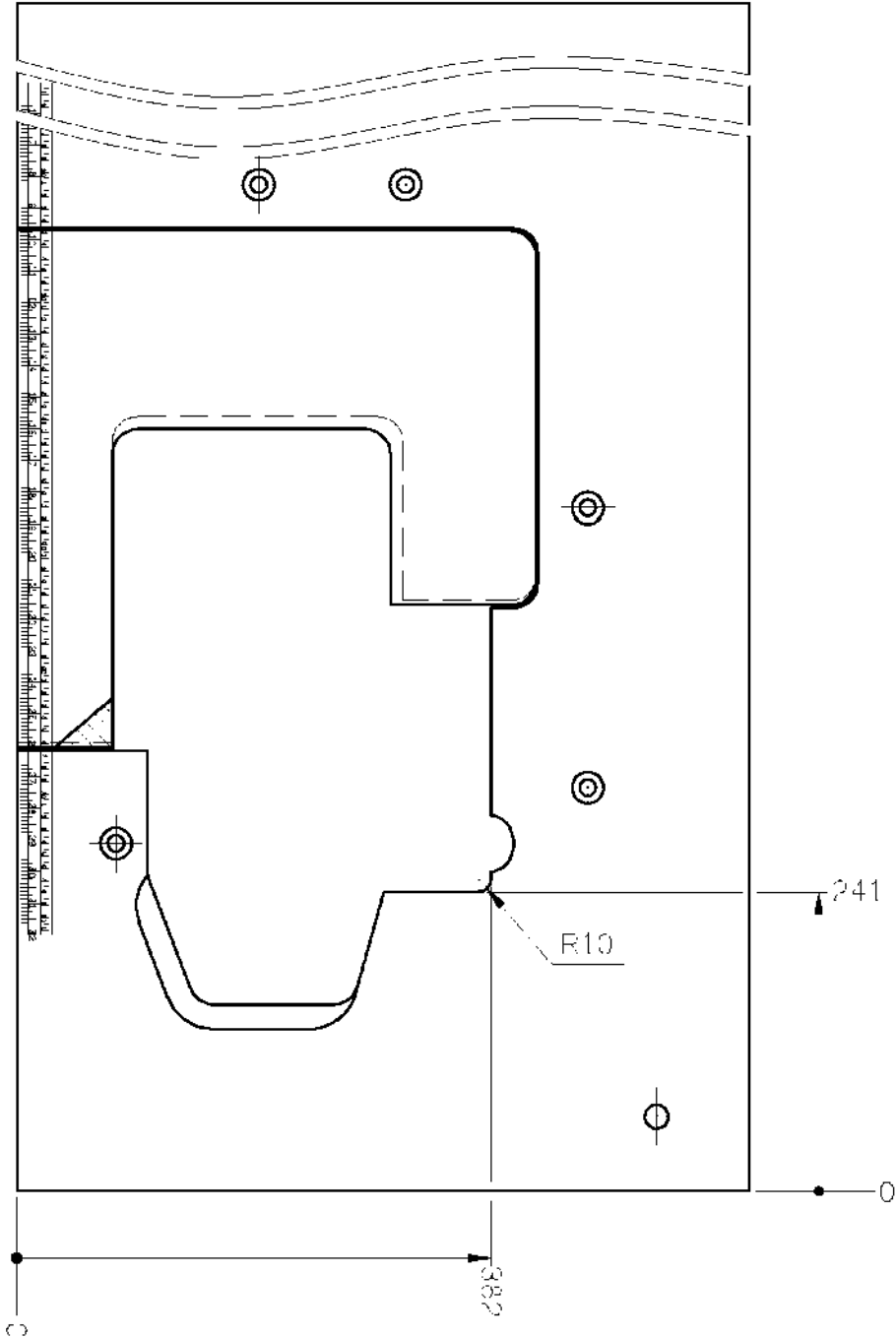
單位 / UNIT : mm  
 所有尺寸公差 / TOL : FRANCH : 1.2  
 長度 (L) : 1070 / 重量 (W) : 10.3 ± 5%  
 長度 (L) : 1200 / 重量 (W) : 11.3 ± 5%



A A SECTION

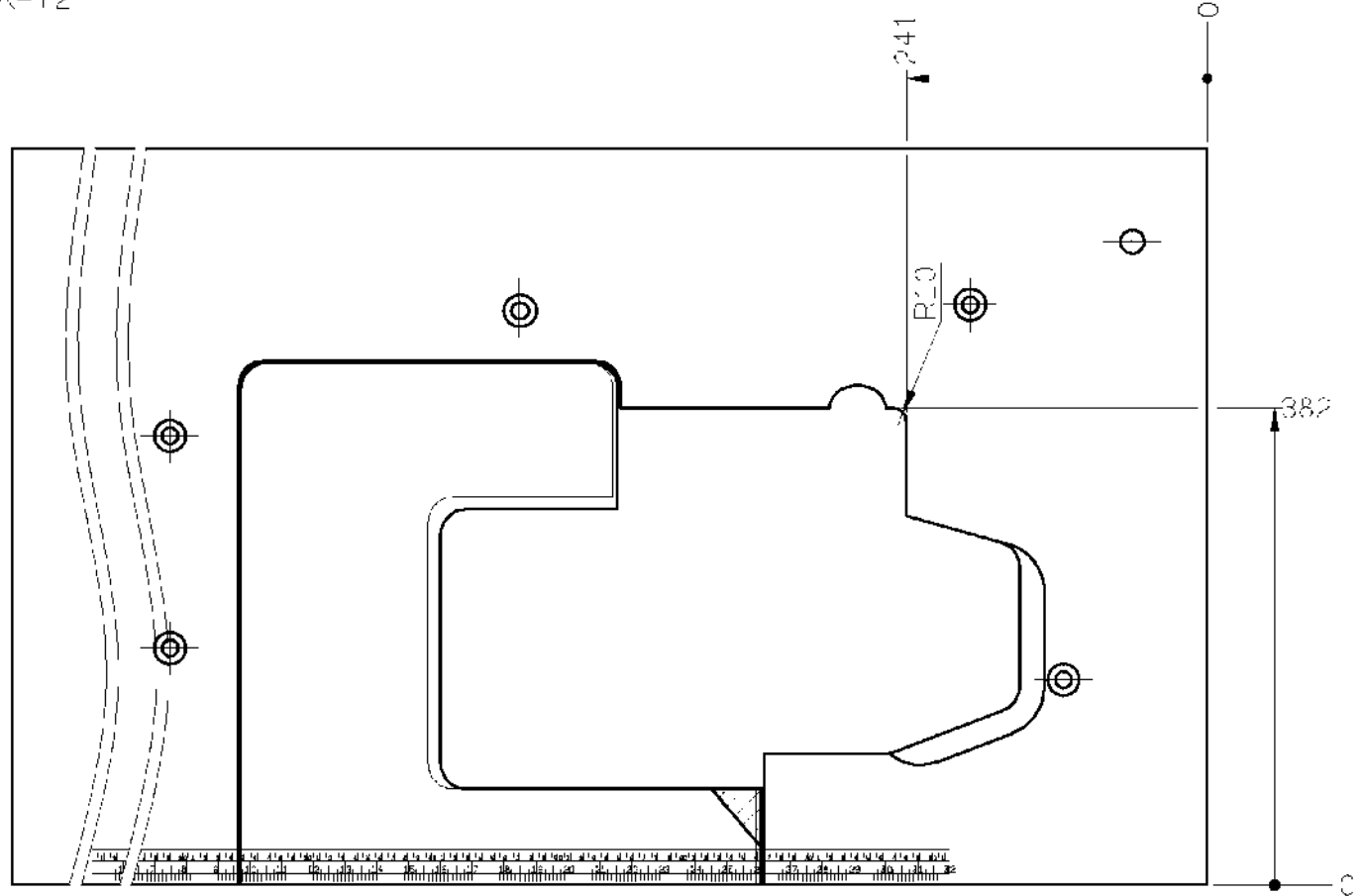
SIRUBA TABLE CUT - OUT	Series	Item Code	Subclass Remark	Mounting
	700KD/988D	700KD-T1	需配TBK(包含TB202/TB203) (需搭KX201舊底盤)	Fully-submerged
				Date
			2012/11/16	

單位/UNIT:mm  
所有尺寸公差/TOL FRAC:1/2  
重量(W):12.21g±5%  
其餘尺寸同/OCK 1:



<b>SIRUBA</b> TABLE CUT-OUT	<b>Series</b>	<b>Item Code</b>	<b>Subclass Remark</b>	<b>Mounting</b>
	700KD/988D	700KD-T2	需配TBKD-1(包含TB201D)	Fully-submerged
				<b>Date</b>
				2012/11/10

单位/UNIT:mm  
 FOR 700KD/988D  
 所有尺寸公差/TOL FRACCT:L2  
 重量(W):12.2kg±5%  
 其餘尺寸同700K-T2



<b>SIRUBA</b> TABLE CUT-OUT	<b>Series</b>	<b>Item Code</b>	<b>Subclass Remark</b>	<b>Mounting</b>
	700KD/988D	700KD-T3	For: FLP, EC, CT, VT 需配TBKD-1(包含TB201D)	Fully-submerged
				Date 2012/11/16

单位/UNIT:mm  
 FOR 700KD/988D  
 所有尺寸公差/TOL FRACCT:L2  
 重量(W):11.9kg=5%  
 其餘尺寸同700KD-T2

